

Service Data

Vickers®

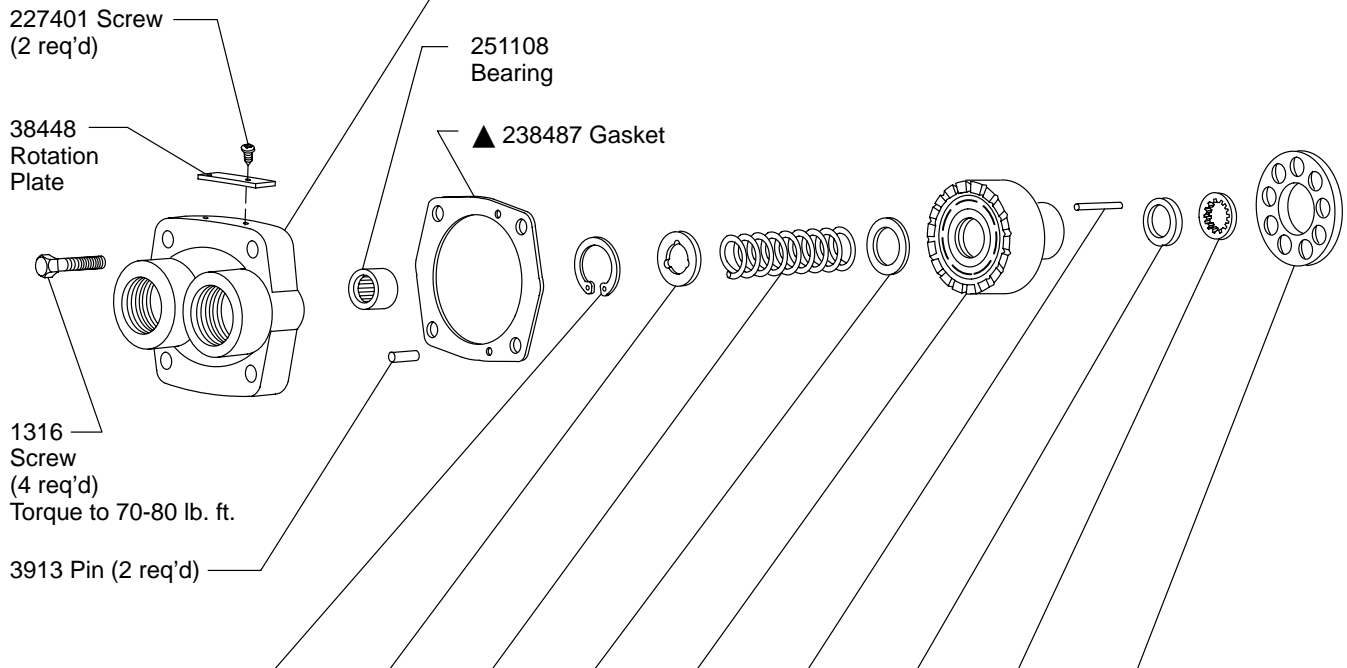
Piston Motors



Fixed Inline Piston Motors

M-MFB20 and M-MFB29 - 10 Design

Model	Valve Plate S/A (Includes Rotation Plate & 251108 Bearing)	Shaft Bearing
M-MFB20-U-10	938383	283090
M-MFB29-U-10	941470	238482

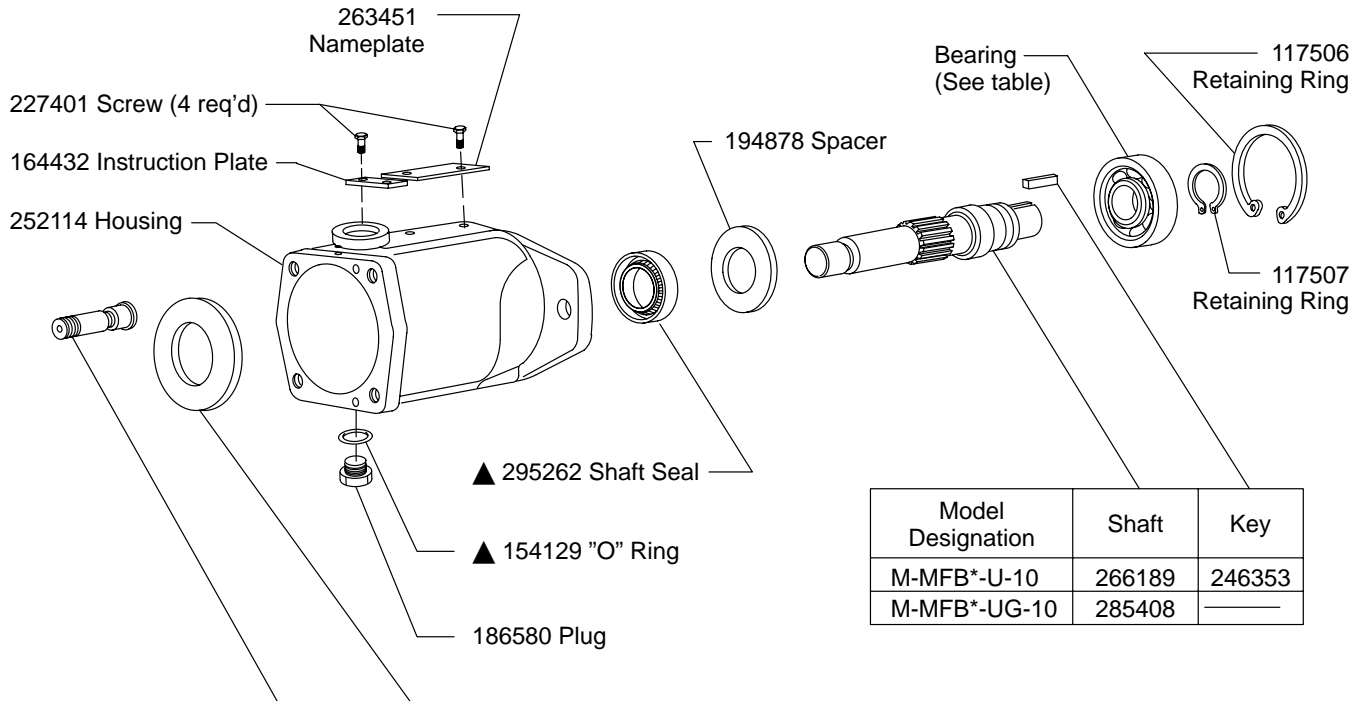
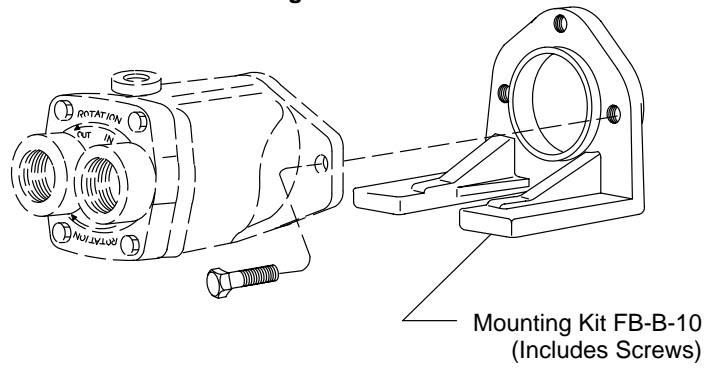


Model Designation	Retaining Ring	Washer	Spring	Thrust Washer	Cylinder Block	Pin (3 req'd)	Washer	Spherical Washer	Shoe Plate	Rotating Group Kit
M-MFB20-U-10	194025	244931	246387	238780	284197	248835	938392		248609	938281
M-MFB29-U-10					287454					922999

These parts are serviced in rotating group

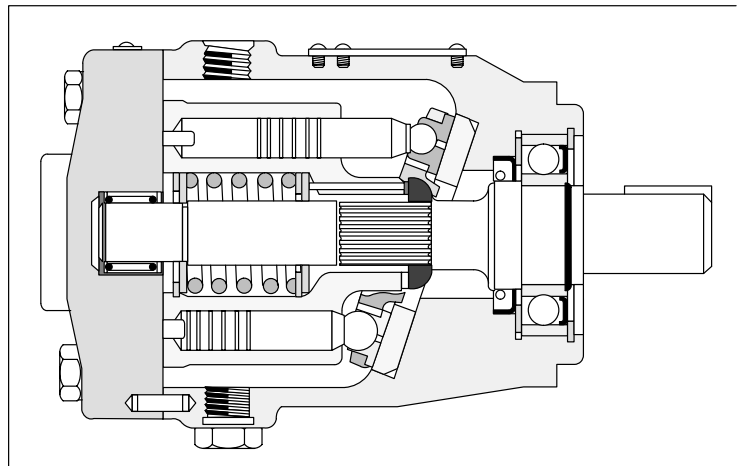
Include complete model number on all parts orders

Foot Mounting Bracket



Model Designation	Shaft	Key
M-MFB*-U-10	266189	246353
M-MFB*-UG-10	285408	—

Model Designation	Piston Kit (9 pistons)	Swash Plate	Rotating Group Kit
M-MFB20-U-10	941884	239335	938281
M-MFB29-U-10	923326		922999
These parts are serviced in rotating group →			

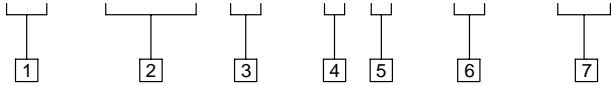


▲ Service all units with F3 Seal Kit 919242

See Service Manual M-2760-S for maintenance information

Model Code

M - MFB ** - U * - 10 - ***



1 Mobile Application

2 Model Series

MFB - Motor, fixed displacement, inline piston unit

3 Flow Rating
@1800 RPM

20 - 20 USgpm
29 - 29 USgpm

4 Rotation

U - Either direction

5 Shaft Type

G - Splined
Omitted - Keyed

6 Design Number

7 Special Features

For satisfactory service life of these components in industrial applications, use full flow filtration to provide fluid which meets ISO cleanliness code 20/18/15 or cleaner. Selections from Eaton OFP, OFR, and OFRS series are recommended.