

## Piston Pumps & Motors

---



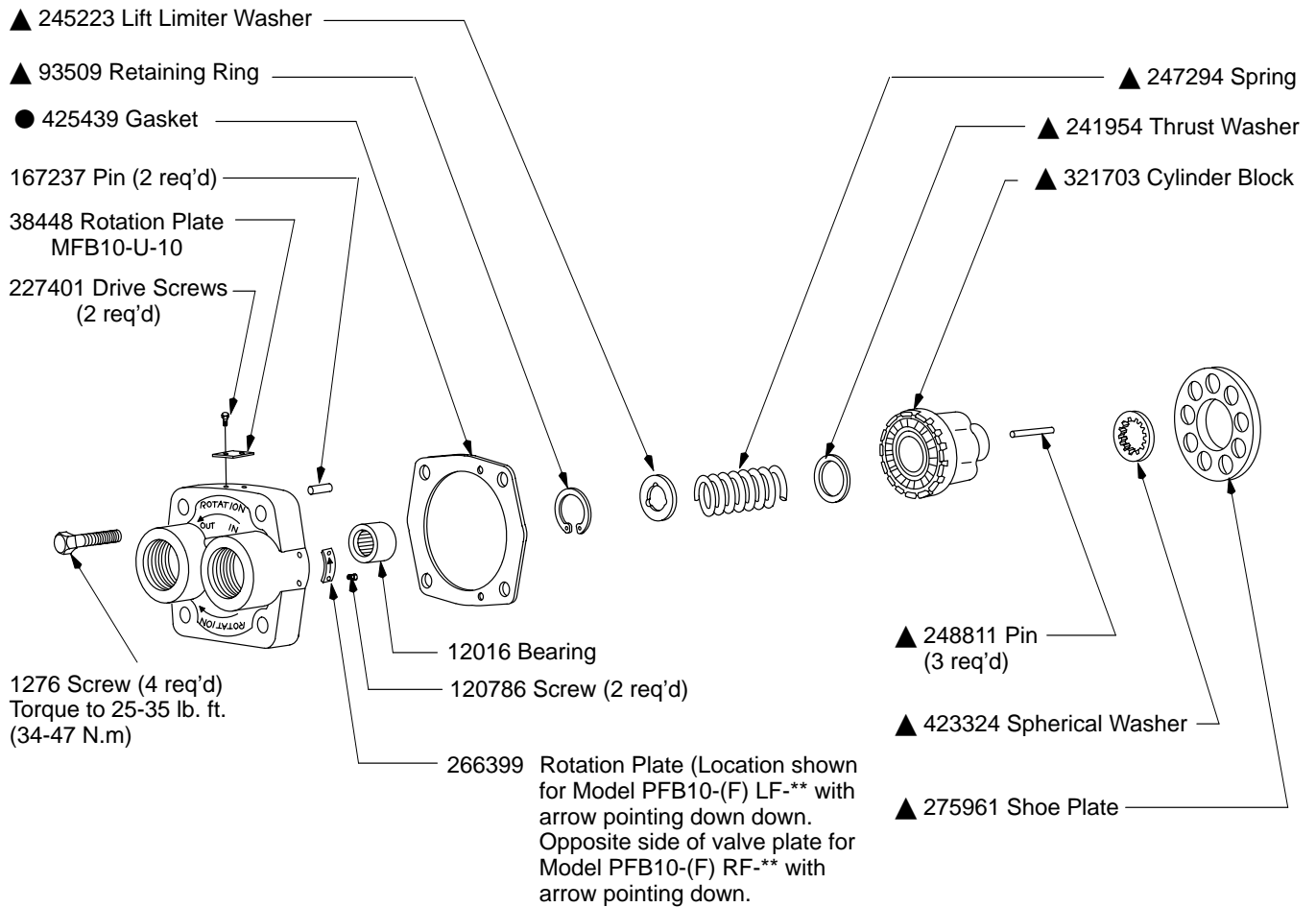
# 10 USgpm Fixed Displacement Inline Piston Units

MFB10-(F)U(Y)-20

MFB10-(F)U(Y)-30/31

PFB10-(F)\*(Y)-20

PFB10-(F)\*(Y)-30/31

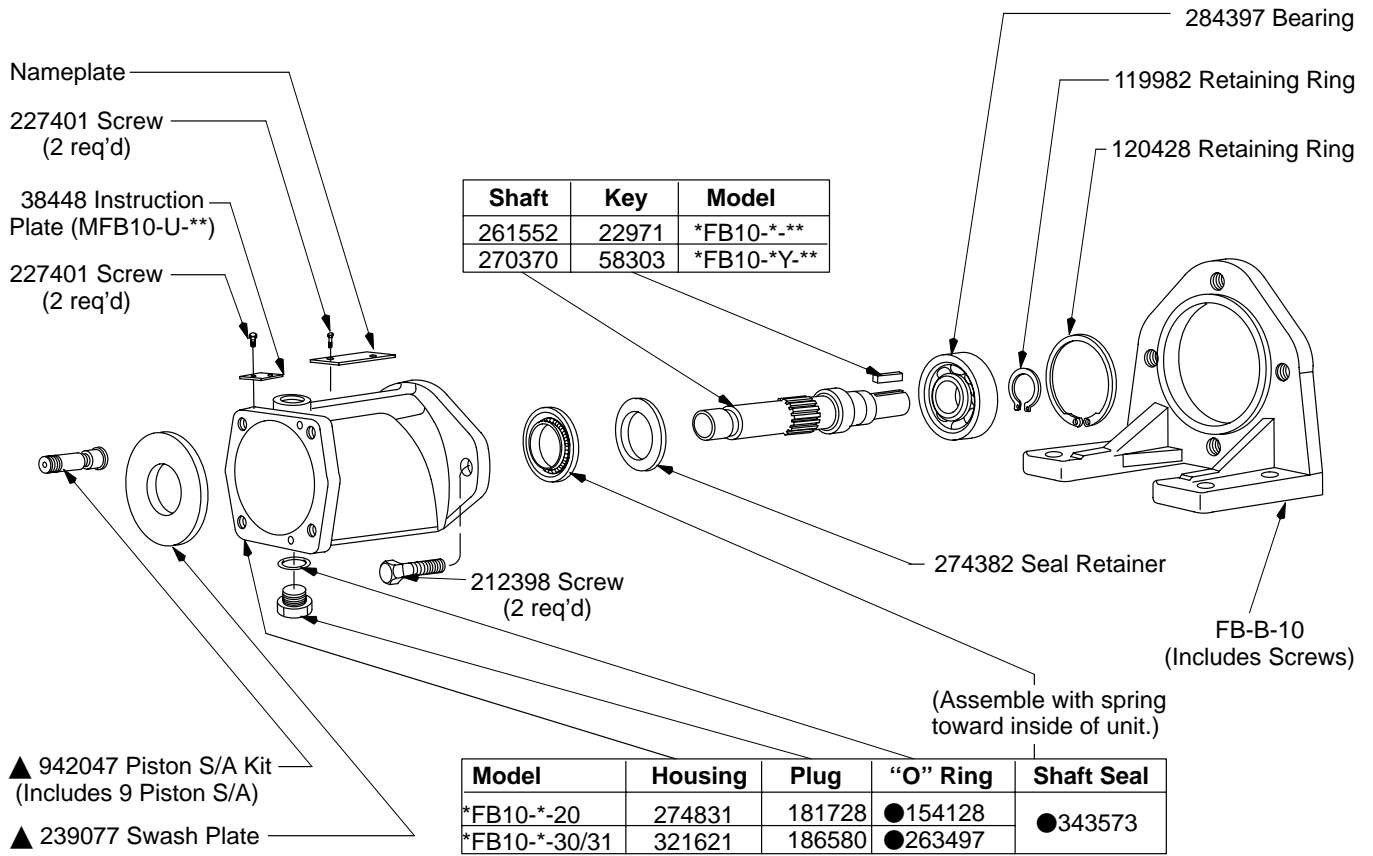


Model	Valve Plate S/A (Includes 12012 Bearing)
PFB10-R-20	938389
PFB10-R-30/31	942048
PFB10-L-20	938390
PFB10-L-30/31	942049
MFB10-U-20	938391
MFB10-U-30/31	942050

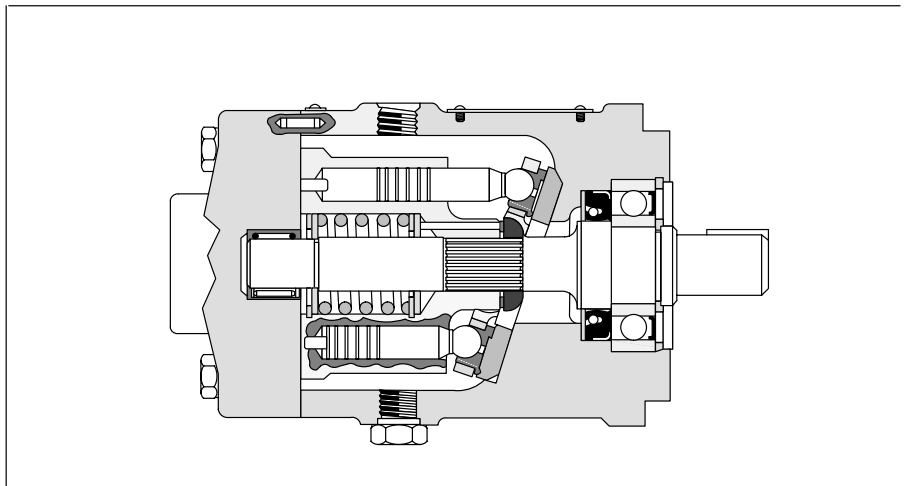
▲ Included in Rotating Group Kit 938272

F3 Equivalent 919312 Seal Kit

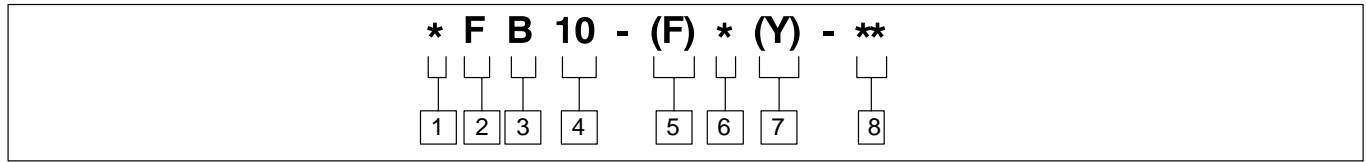
● Included in Seal Kit:  
 -20 Design - 919240  
 -3\* Design - 919521



**NOTE**  
See overhaul manual I-3230-S for maintenance information.



# Model Code



**1 Model**

**M** - Motor  
**P** - Pump

**2 Fixed Displacement**

**3 Inline type**

**4 Flow rating @ 1800 rpm**

**10** - 10 USgpm

**5 Mounting**

**F** - Foot bracket  
Omitted - Flange

**6 Rotation**

**R** - Right Hand (Pumps only)  
**L** - Left Hand (Pumps only)  
**U** - Either direction

**7 Input shaft**

**Y** - Standard  
Omitted - Short shaft

**8 Design**

For satisfactory service life of these components, use full flow filtration to provide fluid which meets ISO cleanliness code 16/13 or cleaner. Selections from pressure, return, and in-line filter series are recommended.