

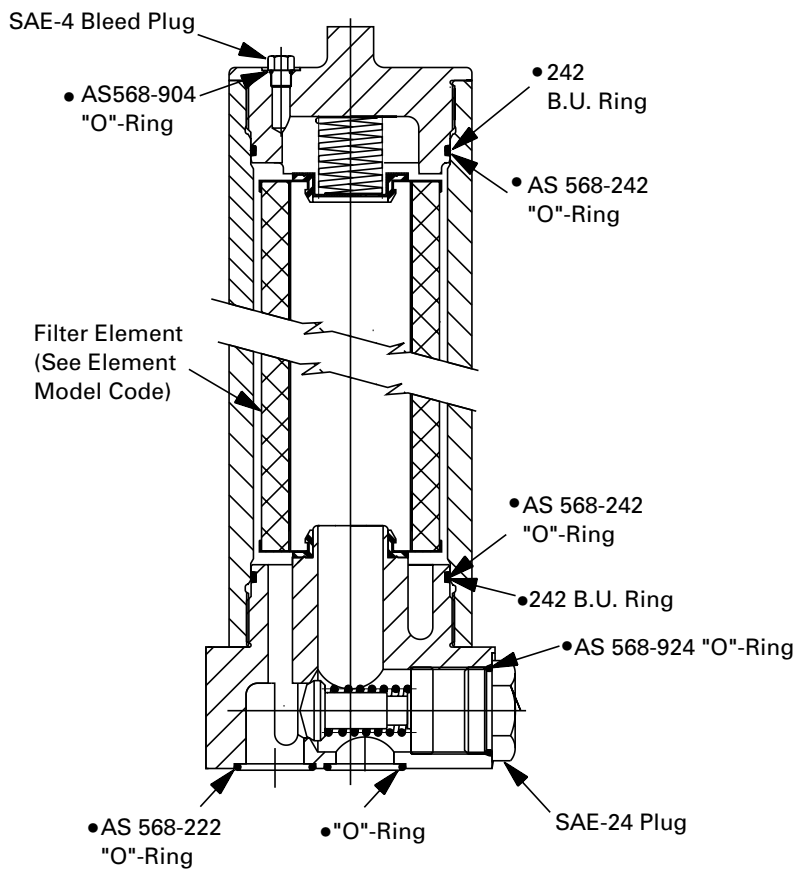


Vickers

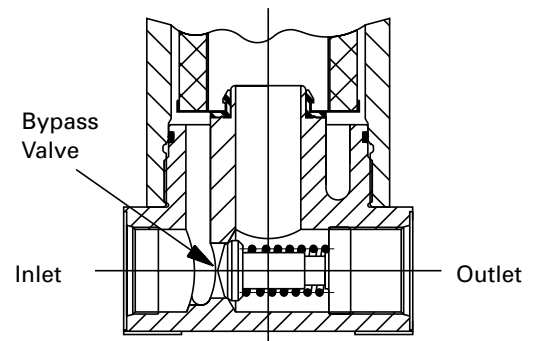
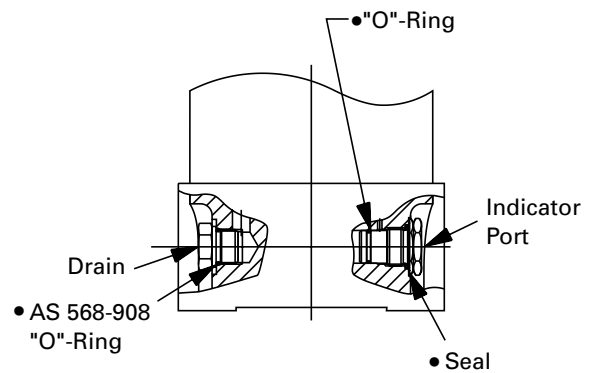
HF4P Series High Performance Pressure Filter

Flows to 568 L/min (150 USgpm) 310 bar (4500 psi)

Service Data



Subplate Mounting



CAUTION



Before servicing the element, the bleed plug in filter housing must be loosened to relieve pressure. This will minimize fluid overflow.

● Included in Seal Kits

SEAL KIT PRODUCT NUMBERS

3039700 Buna

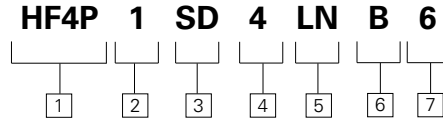
3039701 Viton*

* Viton is a registered trademark of E.I. DuPont



Model Code

Housing Assembly



1 Filter Series

HF4P

2 Element Collapse Rating

- 1** - 150 PSI Low Collapse
- 4** - 3000 PSI High Collapse

3 Port options

- BD** - G1¹/₂ to ISO 228
- ME** - 1¹/₂" SAE 4 bolt Flange Code 61 (M12 x 1.75)
- MR** - 1¹/₂" SAE 4 bolt Flange Code 62 (M16 x 2.0)
- SD** - 1.875 - 12 UN SAE-24 str. Thd. (1¹/₂" tube)
- FE** - 1¹/₂" SAE 4 bolt Flange Code 61 (UNC)
- FR** - 1¹/₂" SAE 4 bolt Flange Code 62 (UNC)
- WS** - Subplate mounting

4 Valve options

- 1** - Non-Bypass
- 4** - Bypass set at 43 PSI cracking pressure
- 6** - Bypass set at 90 PSI cracking pressure

5 Indicator options

First Designator - Indicator Type

- A** - Visual 70 PSI
- J** - No Indicator (plug)
- L** - Visual 30 PSI
- O** - Visual 115 PSI
- R** - Electrical 30 PSI
- T** - Electrical 115 PSI
- U** - Electrical 70 PSI

5 Indicator options

Second Designator - Electrical Receptical

- B** - Brad Harrison
- H** - Hirshman
- J** - Hirshman with 24 volt light
- K** - Hirshman with 115 volt light
- L** - Hirshman with 230 volt light
- N** - No Connector - use with visual indicators and "J"

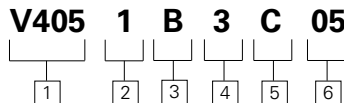
6 Seal material

- B** - Buna-N
- V** - Viton-A

7 Element length Assembly length

| Element length | Assembly length |
|------------------------|-----------------|
| mm (in) | mm (in) |
| 3 - 228mm (9") | 447mm (17.6") |
| 6 - 457mm (18") | 685.3mm (27") |
| 7 - 685mm (27") | 923.5mm (36.4") |

Element



1 Filter element

V405 - For use with HF4P series filters

2 Element collapse rating

- 1** - 150 PSI Low Collapse
- 4** - 3000 PSI High Collapse

NOTE: Use 1 only with bypass valve or monitored ΔP indicator.

3 Seal material

- B** - Buna-N
- V** - Viton-A

4 Element length

- mm (in)
- 3** - 229 (9)
- 6** - 457 (18)
- 7** - 686 (27)

All meet HF4 specifications.

5 Element construction

- C** - C-Pak (grade 3, 5, 10, 20)
- H** - H-Pak (grade 3, 5, 10)

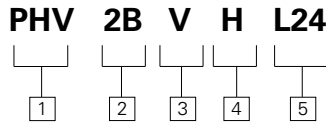
6 Fluid cleanliness ratings

| Code | Target fluid cleanliness level |
|-----------|--------------------------------|
| 03 | 16/14/12 or better |
| 05 | 18/16/14 or better |
| 10 | 20/18/15 or better |
| 20 | 22/19/16 or better |

The table assumes limited ingress/single pass of pump flow through element. For detailed assistance, see "The Vickers Guide to Systemic Contamination Control" or contact your local Eaton representative.

Model Code

Indicator



1 Indicator type and pressure rating

PHV - visual 420 bar (6000PSI)
PVE - electrical 420 bar (6000PSI)

2 Pressure setting

2B - 2 bar (30PSID)
5B - 5 bar (75PSID)
8B - 8 bar (115PSID)

3 Seal material

V - Viton-A

4 Connector

B - Brad Harrison 5 Pin
H - Hirshman
N - None (use with PV indicators)

5 Light Option

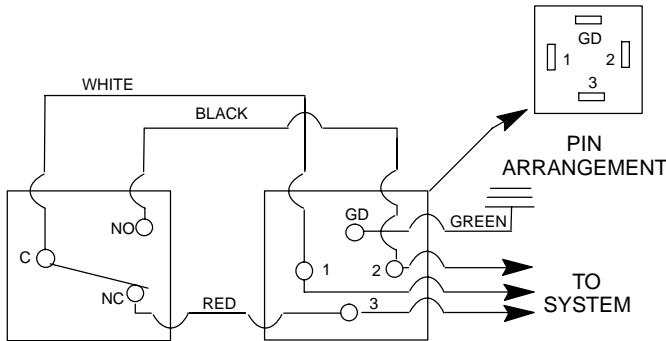
L24 - 24 Volt Lamp
L115 - 115 Volt Lamp
L230 - 230 Volt Lamp (use with Hirshman Connector only)

Schematic Wiring Diagram

Indicator Switch

Note

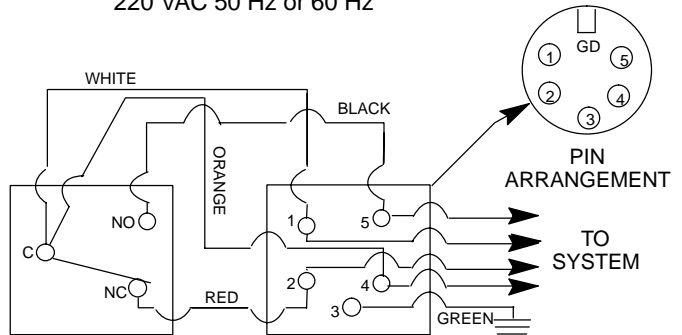
When fitting indicator, torque to 41-47 Nm.



Hirschmann (DIN 43650 Type AM) Receptacle

Electrical

Switch: SPDT
 Rating: 7 amps, resistive
 4 amps, inductive
 2 amps, lamp load
 @28 VDC, 115 VAC 60 Hz &
 220 VAC 50 Hz or 60 Hz



Brad Harrison (41512) Receptacle

Eaton
 14615 Lone Oak Road
 Eden Prairie, MN 55344
 USA
 Tel: 952 937-9800
 Fax: 952 974-7722
 www.hydraulics.eaton.com

Eaton
 20 Rosamond Road
 Footscray
 Victoria 3011
 Australia
 Tel: (61) 3 9319 8222
 Fax: (61) 3 9318 5714

Eaton
 46 New Lane, Havant
 Hampshire PO9 2NB
 England
 Tel: (44) 23 92 486 451
 Fax: (44) 23 92 487 110

