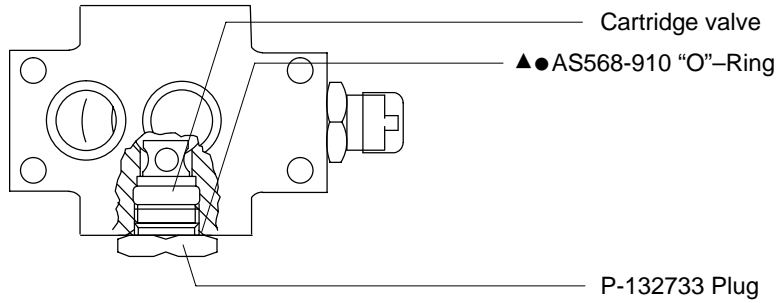




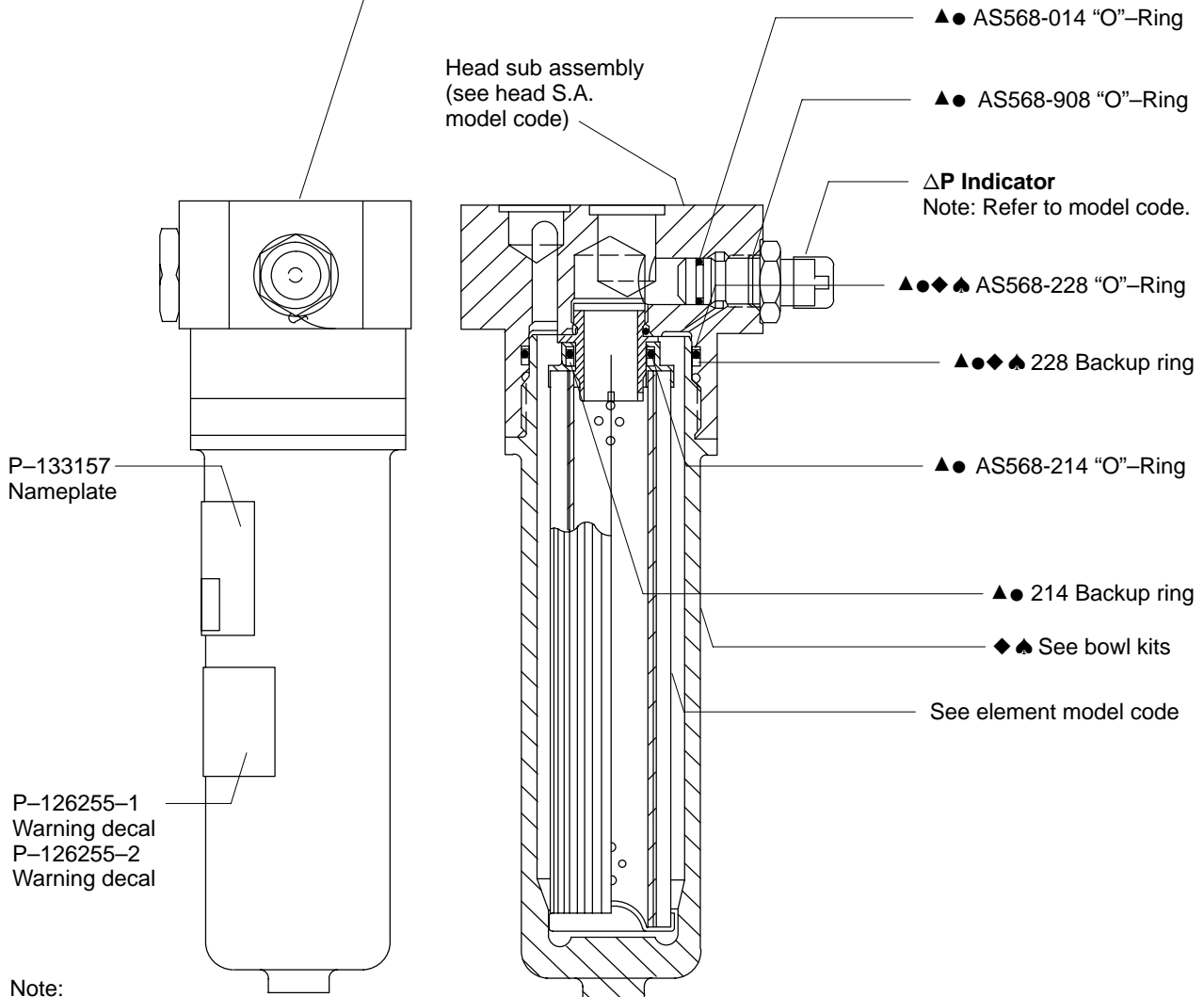
H340-* - Series High Performance Medium Pressure Filter

Flows to 91 L/min (24 USgpm) 210 bar (3000 psi)

H340-*-S

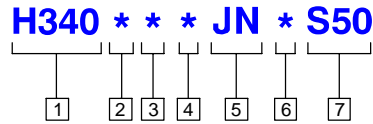


▲● AS568-117 "O"-Ring
 (included in poly bag for inlet
 and outlet sub-plate mounting)



Note:
 For short bowl units install warning
 decal on the opposite side of nameplate.

Head Sub Assembly Model Code



1 Filter series

H340

2 Element collapse rating

- 1 – 150 PSID (10 bar)
- 5 – 4500 PSID (310 bar) (H-pak only)

3 Port option

- A – 3/4" SAE-J514 (Inlet & outlet)
- S – Subplate mounting

4 Valve option

- 1 – Non-bypass
- 4 – Bypass set at 50 ± 5 PSID (3,4 bar) cracking pressure

5 ΔP indicator & receptacle options
First designator (Indicator type)

J – No ΔP indicator

Second designator (Electrical receptacle)
N – No receptacle – Use with visual ΔP indicator

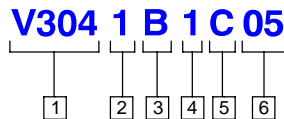
6 Seal material

- B – Buna-N
- V – Viton-A®

Viton is a registered trademark of E.I. DuPont

7 S50 Head sub assembly

Element Model Code



1 Filter element

V304 – For use with H340 series filters

2 Element collapse rating

- 1 – 150 PSID (10 bar)
- 5 – 4500 PSID (310 bar) (H-pak only)

3 Seal material

- B – Buna-N
- V – Viton-A

4 Bowl length mm (in)

- 1 – 160 (6.3)
 - 2 – 259 (10.2)*
- *HF2

Element length mm (in)

- 101,6 (4)
- 203,0 (8)

5 Element construction

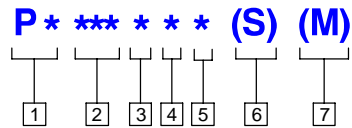
- C – C-pak (3, 5, 10)
- H – H-pak high collapse media (3 & 10 only)

6 Fluid cleanliness ratings

Code	Fluid cleanliness level
03	16/14/12 or better
05	18/16/14 or better
10	20/18/15 or better

The table above assumes limited ingress and a single pass of pump flow through the element. For more detailed information, please consult Vickers Guide to Systemic Contamination Control **561** or contact your local Vickers Distributor.

Differential Pressure Indicator Model Code



1 Style option

PV – Visual
PE – Electrical
PD – Electrical/Visual

2 Actuation pressure option

015 – 15 ± 4 PSID (1 bar)
035 – 35 ± 5 PSID (2,4 bar)
070 – 70 ± 7 PSID (4,8 bar)
(not an option with 330/340 filters)
100 – 100 ± 12 PSID (6,9 bar)

3 Thermal lockout option

N – No thermal lockout
(not an option with IFI indicator)
T – Thermal lockout
(standard TLO= $80 \pm 20^\circ$ F)

4 Seal option

1 – Buna-N
2 – Viton

5 Receptacle option

B – 5-pin Brad Harrison (41512)
(not an option with visual indicator)
H – Hirschman (DIN 43650)
(not an option with visual indicator)
N – No receptacle (use with visual indicator)
(not an option with IFI indicator)

6 Surge control option

None – No surge control
S – Surge control
(not an option with 330/340 filters)

7 Filter series option

None – Standard
M – 330/340 Filters only

Eaton
Fluid Power Group
Hydraulics Business USA
14615 Lone Oak Road
Eden Prairie, MN 55344
USA
Tel: 952-937-9800
Fax: 952-294-7722
www.eaton.com/hydraulics

Eaton
Fluid Power Group
Hydraulics Business Europe
Route de la Longeraie 7
1110 Morges
Switzerland
Tel: +41 (0) 21 811 4600
Fax: +41 (0) 21 811 4601

Eaton
Fluid Power Group
Hydraulics Business Asia Pacific
11th Floor Hong Kong New World Tower
300 Huaihai Zhong Road
Shanghai 200021
China
Tel: 86-21-6387-9988
Fax: 86-21-6335-3912