

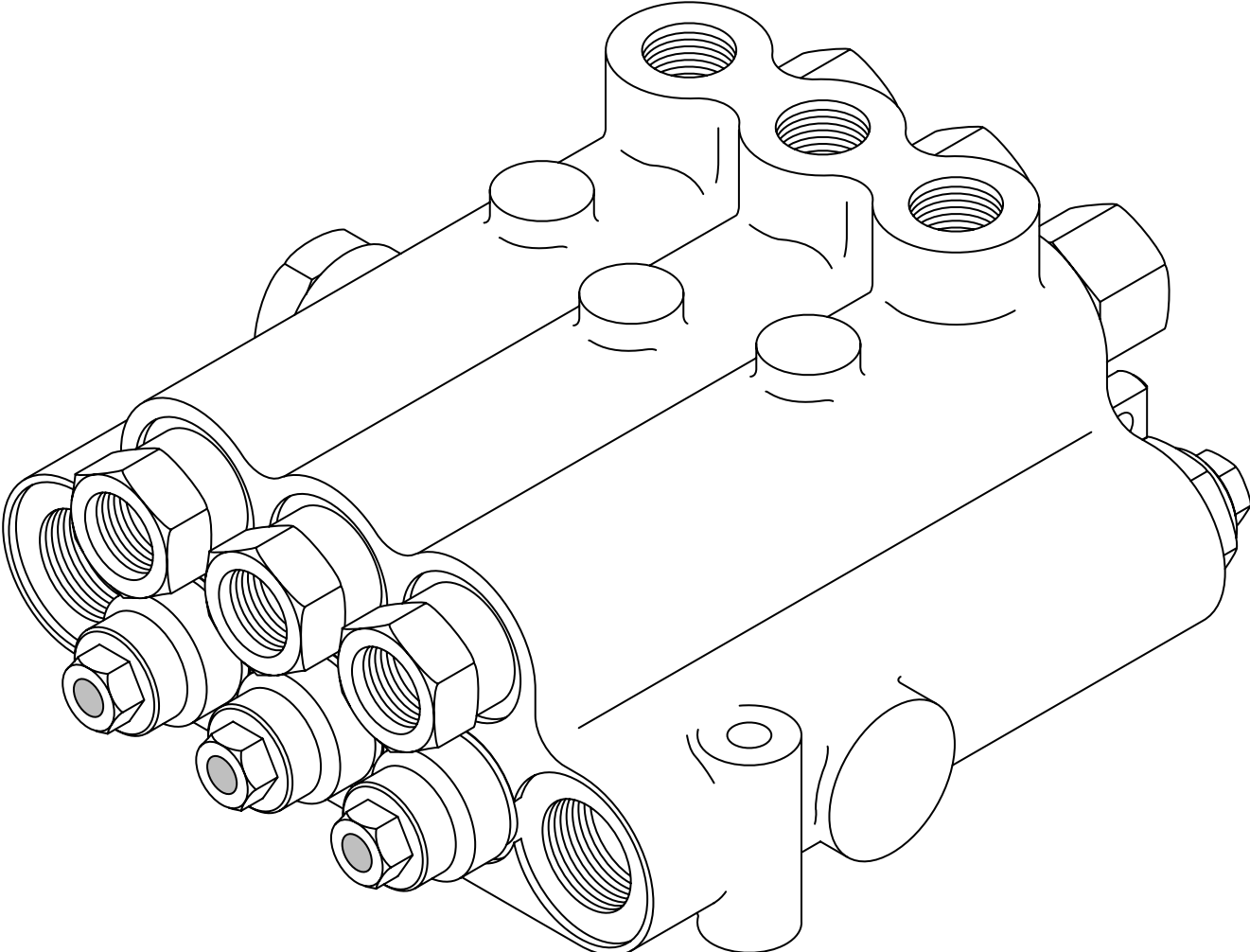
**Eaton  
Hydraulics  
Division**

# Parts Information

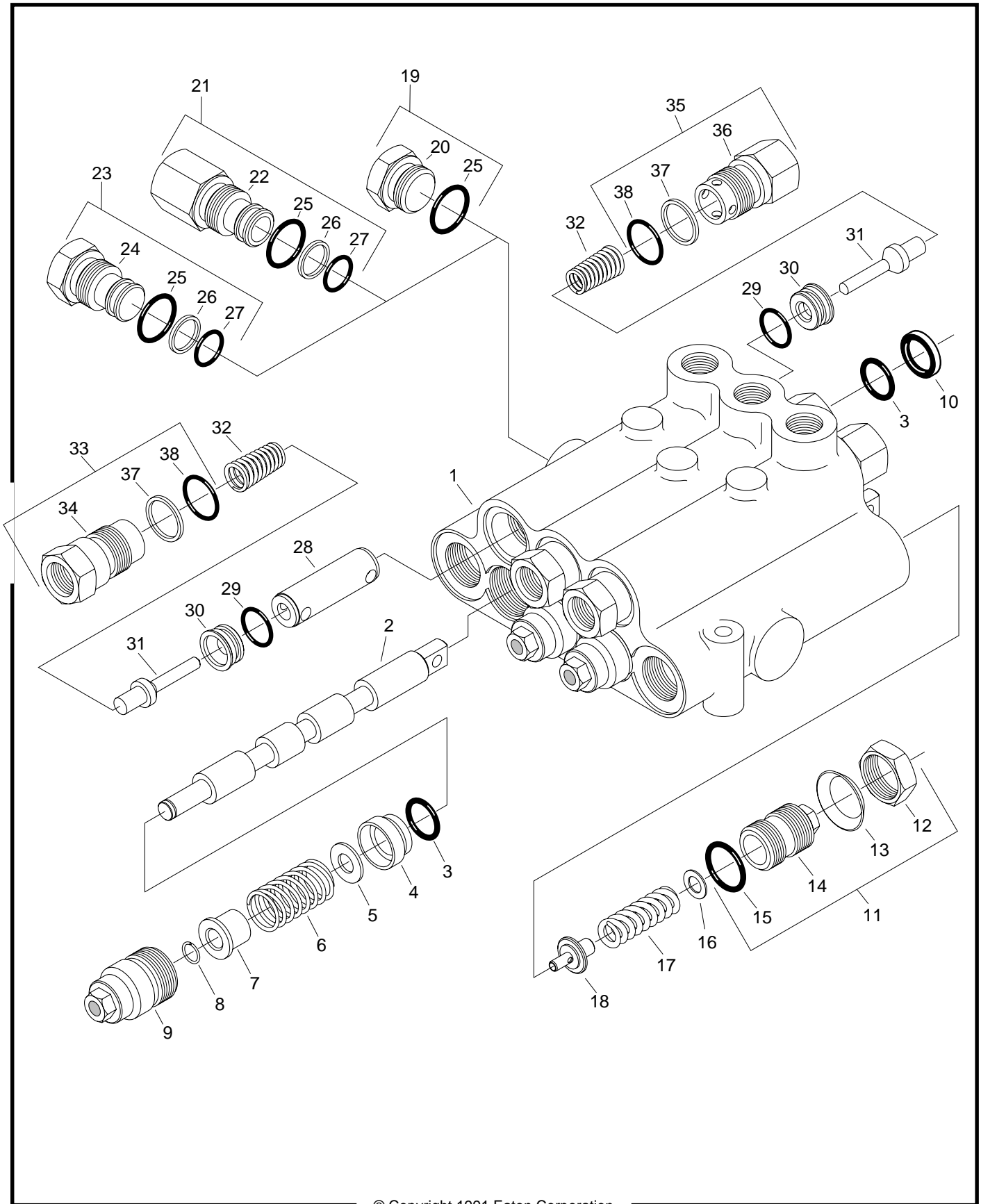
---

**Model 31920 - 31930 Directional Control Valve**

---



# Parts Drawing



## Parts List

Ref. No.	Description	Part Number	Quantity
1	Body	NSS	1
2	Spool	NSS	A/R
~ 3	O-ring	16003 - 610	2/Spool
4	Bushing	31900 - 377	1/Spool
5	Washer	16048 - 613	1/Spool
6	Spring, Spool	17069 - 14	1/Spool
7	Spacer	30900 - 313	1/Spool
~ 8	Retaining Ring	16009 - 105	1/Spool
9	Spool Cap Assembly	31900 - 569	1/Spool
	Breather Plug	16066 - 403	1/Spool
~ 10	Wiper Seal	16074 - 108	1/Spool
11	Relief Valve Plug Assembly	31900 - 665	1
12	Lock Nut	70411 - 524	1
13	Lock Washer	70411 - 521	1
14	Plug	31900 - 664	1
~ 15	O-ring	16133 - 8	1
† 16	Shim Washer - .010 inch	16048 - 35	A/R
	Shim Washer - .015 inch	16048 - 22	A/R
	Shim Washer - .035 inch	16048 - 65	A/R
17	Relief Valve Spring	*	1
18	Poppet	32015 - 36	1
19	Standard Plug Assembly	16169 - 1120	1
20	Standard Plug	NSS	1
21	Pressure Beyond Plug Assy. (9/16-18 SAE)	31900 - 321	1
22	Pressure Beyond Plug (9/16-18 SAE)	NSS	1
	Pressure Beyond Plug Assy. (3/4-16 SAE)	31900 - 341	1
	Pressure Beyond Plug (3/4-16 SAE)	NSS	1
23	Closed Center Plug Assembly	31900 - 319	1
24	Closed Center Plug	NSS	1
~ 25	O-ring	16003 - 12	1
~ 26	Back-Up Ring	16101 - 202	1
~ 27	O-ring	16015 - 2	1
28	Check Plunger	15440 - 17	1/Spool
~ 29	O-ring	16015 - 2-90	2/Spool
30	Seat	31900 - 300	2/Spool
~ 31	Poppet Assembly	15440 - 317	2/Spool
32	Check Spring	31900 - 551	2/Spool
33	Seat Retaining Plug Assembly with Work Port	31900 - 310	1/Spool
34	Seat Retaining Plug with Work Port	NSS	1/Spool
35	Seat Retaining Plug Assembly	31900 - 707	1/Spool
36	Seat Retaining Plug	NSS	1/Spool
~ 37	Back-Up Ring	16011 - 212	2/Spool
~ 38	O-ring	16003 - 12 - 90	2/Spool
	Seal Repair Kits		
	One Spool Valves	31921 - 927	
	Two Spool Valves	31922 - 926	
	Three Spool Valves	31923 - 929	

NSS Not sold separately

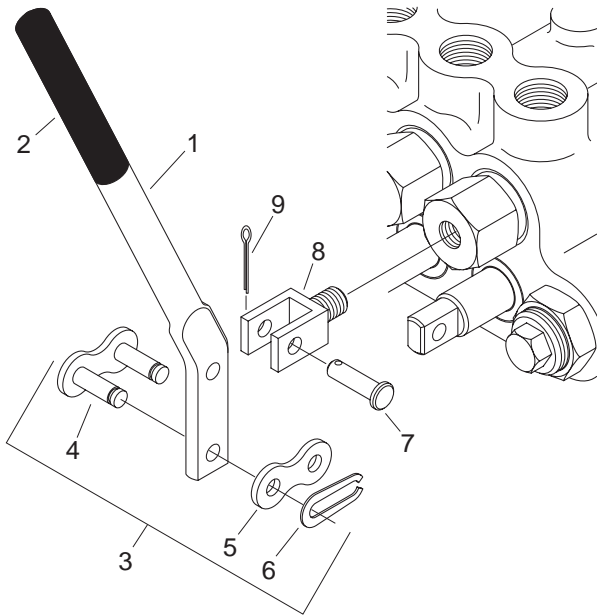
A/R As required

† Install the same shim thickness as removed. At least one shim is required.

\* Refer to the table on the back page for specific part numbers.

~ Parts included in Seal Repair Kits.

## Handle Parts



Ref. No.	Description	Part Number	Quantity
	Handle Kit	31900-912	1/Spool
1	Handle	31900-708	1
2	Handle Cover	16126-85	1
3	Handle Link Assy.	30501-331	1
4	Connecting Link	30501-332	1
5	Link Plate	30501-333	1
6	Spring Clip	30501-334	1
7	Clevis Pin	31900-711	1
8	Lever Support	31900-710	1
9	Cotter Pin	16027-203	1

## Ref. No. 17 Relief Valve Spring

Pressure Adjustment Range	Part Number
450 - 900 PSI	17041-22
850 - 1100 PSI	17042-17
1050 - 1250 PSI	17046-15
1200 - 1650 PSI	17044-16
1600 - 2300 PSI (Standard)	17047-31
2250 - 2500 PSI	17049-36

Information on orifice plates is contained in the Orifice Plate Catalog Sheet, Form 11-502.

**Eaton**  
Fluid Power Group  
Hydraulics Business USA  
14615 Lone Oak Road  
Eden Prairie, MN 55344  
USA  
Tel: 952-937-9800  
Fax: 952-294-7722  
[www.eaton.com/hydraulics](http://www.eaton.com/hydraulics)

**Eaton**  
Fluid Power Group  
Hydraulics Business Europe  
Route de la Longeraie 7  
1110 Morges  
Switzerland  
Tel: +41 (0) 21 811 4600  
Fax: +41 (0) 21 811 4601

**Eaton**  
Fluid Power Group  
Hydraulics Business Asia Pacific  
11th Floor Hong Kong New World Tower  
300 Huaihai Zhong Road  
Shanghai 200021  
China  
Tel: 86-21-6387-9988  
Fax: 86-21-6335-3912