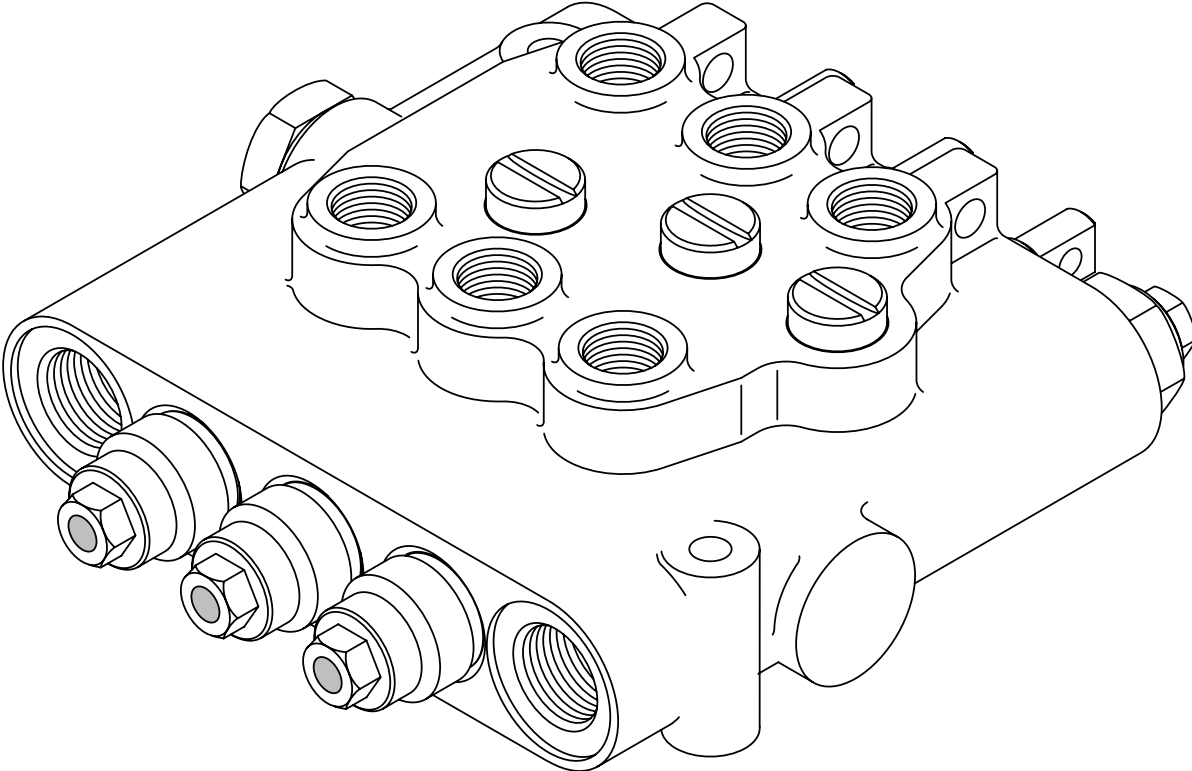


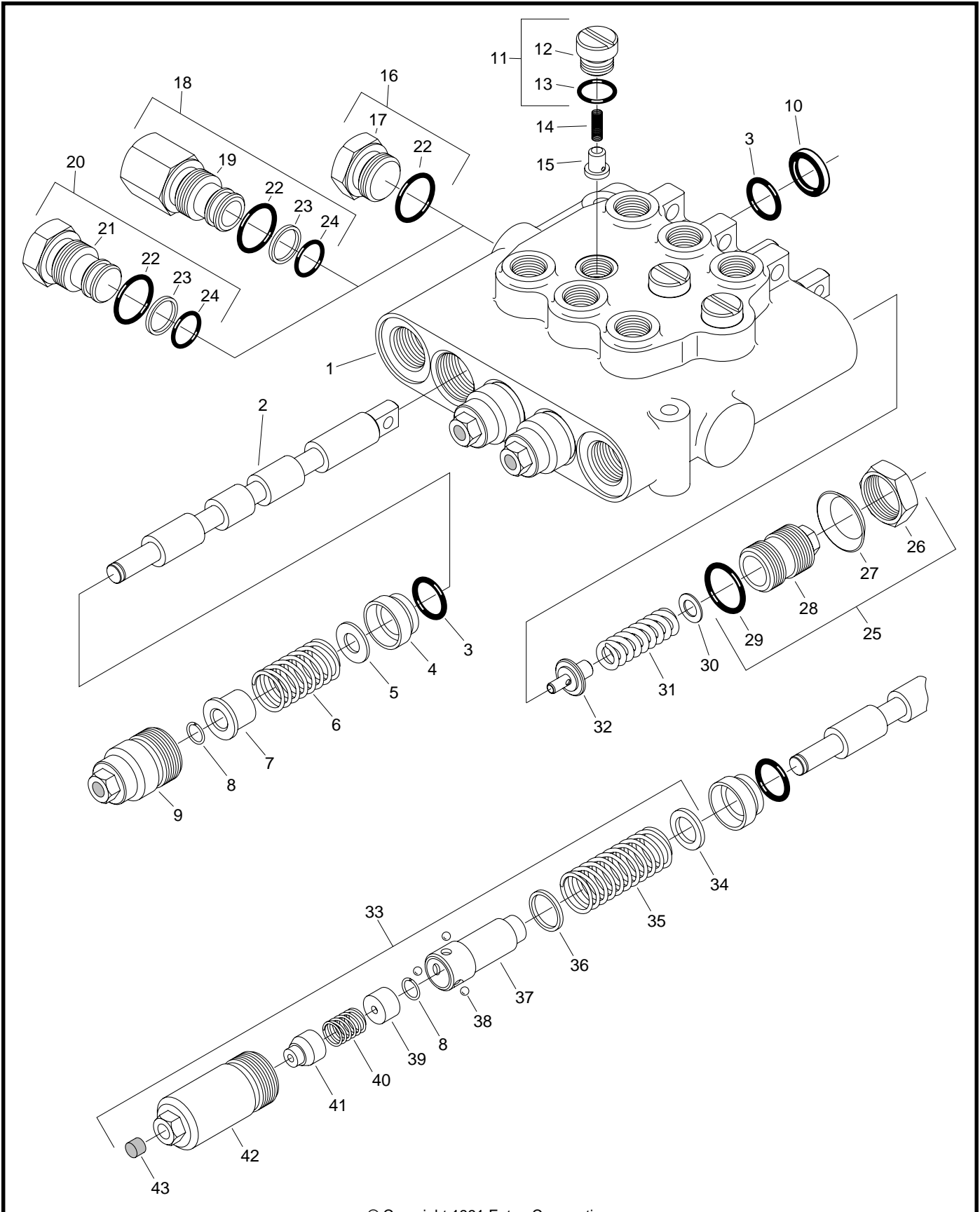
**Eaton
Hydraulics
Division**

Parts Information

Model 30920 - 30930 Directional Control Valve



Parts Drawing



Parts List

Ref. No.	Description	Part Number	Quantity
1	Body	NSS	1
2	Spool	NSS	A/R
~ 3	O-ring	16003-610	2/Spool
4	Bushing	31900-377	1/Spool
5	Washer	16048-613	1/Spool
6	Spring, Spool	17069-14	1/Spool
7	Spacer	30900-313	1/Spool
~ 8	Retaining Ring	16009-105	1/Spool
9	Spool Cap Assembly	31900-569	1/Spool
~ 10	Wiper Seal	16074-108	1/Spool
11	Lift Check Plug Assembly	16227-04	1/Spool
12	Lift Check Plug	NSS	1/Spool
~ 13	O-ring	16003-208 - 90	1/Spool
14	Lift Check Spring	30913-8	1/Spool
15	Lift Check Plunger	30913-5	1/Spool
16	Standard Plug Assembly	16169-1120	1
17	Standard Plug	NSS	1
18	Pressure Beyond Plug Assy. (9/16-18 SAE)	31900-321	1
19	Pressure Beyond Plug (9/16-18 SAE)	NSS	1
	Pressure Beyond Plug Assy. (3/4-16 SAE)	31900-341	1
	Pressure Beyond Plug (3/4-16 SAE)	NSS	1
20	Closed Center Plug Assembly	31900-319	1
21	Closed Center Plug	NSS	1
~ 22	O-ring	16003-12	1
~ 23	Back-Up Ring	16101-202	1
~ 24	O-ring	16015-2	1
25	Relief Valve Plug Assembly	31900-665	1
26	Lock Nut	70411-524	1
27	Lock Washer	70411-521	1
28	Plug	31900-664	1
~ 29	O-ring	16133-8	1
† 30	Shim Washer - .010 inch	16048-35	A/R
	Shim Washer - .015 inch	16048-22	A/R
	Shim Washer - .035 inch	16048-65	A/R
31	Relief Valve Spring	*	1
32	Poppet	32015-36	1
	Seal Repair Kits		
	One Spool Valves	30951-900	
	Two Spool Valves	30952-900	
	Three Spool Valves	30953-900	

NSS Not sold separately

A/R As required

† Install the same shim thickness as removed. At least one shim is required.

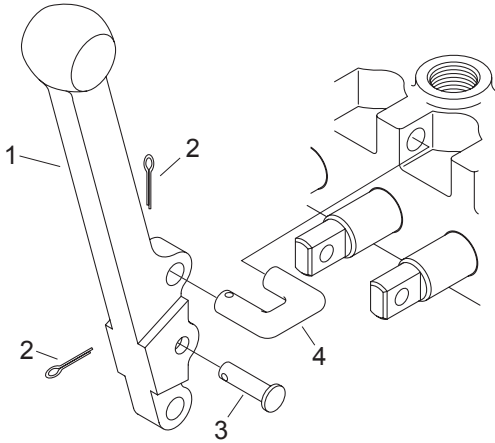
* Refer to the table on the back page for specific part numbers.

~ Parts included in Seal Repair Kits.

Spool Detents

Ref No.	Description	Part Number			Quantity
		Detent Out	Detent In	Detent In & Out	
33	Detent Kit	30931-913	30931-914	30931-916	
34	Washer	16048-611	16048-611	16048-611	1
35	Spring, Spool	17069-17	17069-17	17069-17	1
36	Washer	16048-612	16048-612	16048-612	1
37	Detent Adapter	31900-655	31900-655	31900-655	1
38	Ball	16006-305	16006-305	16006-305	3
8	Retaining Ring	16009-105	16009-105	16009-105	1
39	Spacer	31900-654	31900-654	31900-654	1
40	Spring, Detent	17039-21	17039-21	17039-21	1
41	Cone	31900-573	31900-573	31900-573	1
42	Spool Cap	31900-660	31900-662	31900-658	1
43	Breather Plug	16066-403	16066-403	16066-403	1

Handle Parts



Ref. No.	Description	Part Number	Quantity
	Handle Kit	30950-901	1/Spool
1	Handle	30950-301	1
2	Cotter Pin	16027-203	2
3	Clevis Pin	30900-317	1
4	U Link	30950-303	1

Ref. No. 31 Relief Valve Spring

Pressure Adjustment Range	Part Number
450 - 900 PSI	17041-22
850 - 1100 PSI	17042-17
1050 - 1250 PSI	17046-15
1200 - 1650 PSI	17044-16
1600 - 2300 PSI (Standard)	17047-31
2250 - 2500 PSI	17049-36

Eaton
Fluid Power Group
Hydraulics Business USA
14615 Lone Oak Road
Eden Prairie, MN 55344
USA
Tel: 952-937-9800
Fax: 952-294-7722
www.eaton.com/hydraulics

Eaton
Fluid Power Group
Hydraulics Business Europe
Route de la Longeraie 7
1110 Morges
Switzerland
Tel: +41 (0) 21 811 4600
Fax: +41 (0) 21 811 4601

Eaton
Fluid Power Group
Hydraulics Business Asia Pacific
11th Floor Hong Kong New World Tower
300 Huaihai Zhong Road
Shanghai 200021
China
Tel: 86-21-6387-9988
Fax: 86-21-6335-3912