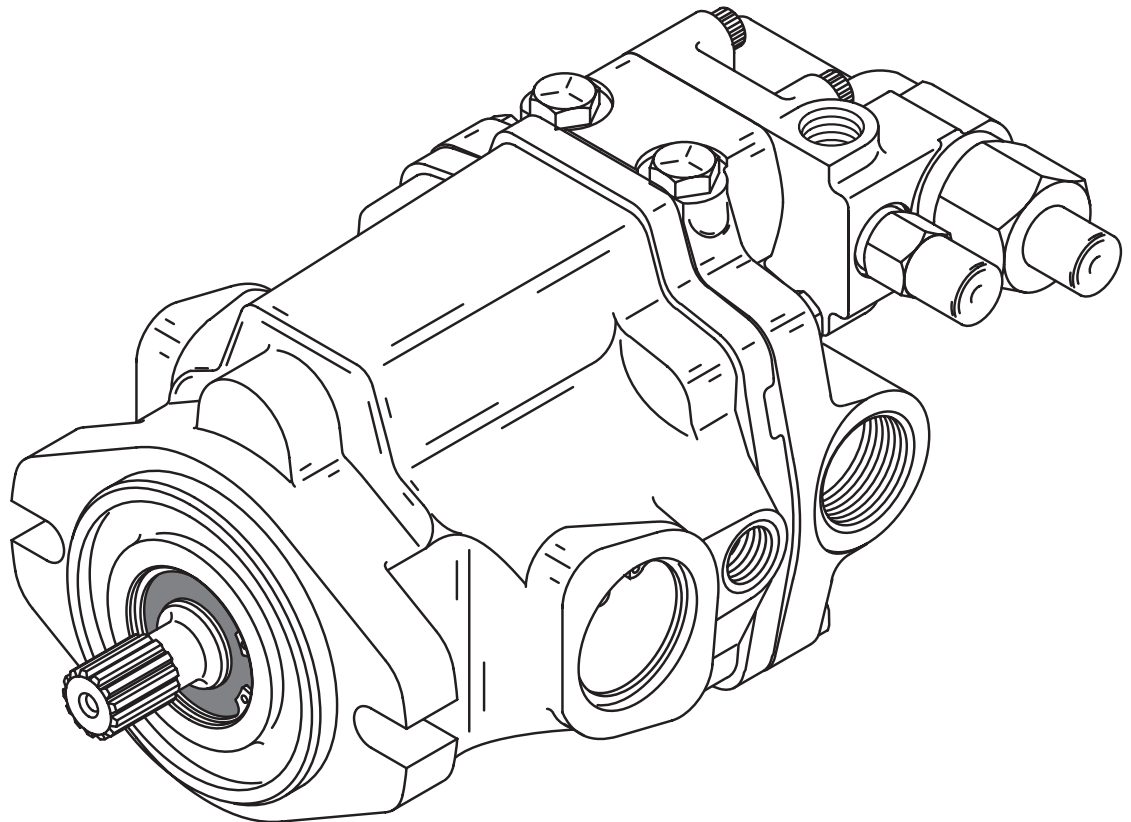


Eaton®
Medium Duty Piston Pump

January 1998



**Parts and Repair
Information**



**Model 70122, 0 -19 cm³/r [0-1.16 in³/r] Displacement
Pressure or Pressure-Flow Compensated Piston Pumps**

Introduction

Table of Contents

Introduction	2
Identification	3
Tools Required	3
Parts Drawing	4
Parts List	5 -12
Item 1 - Drive Shaft ID	6
item 2 - Backplate Assembly	7
Item 4 - Compensator Assembly and Parts List	8 -9
Factory Pre-set Compensator Assemblies	10
Item 5 - Rotating Kit	11
Product Number	12
Repair information	13 - 15
Disassembly	13
Inspection	14
Reassembly	15
Start-up Procedure	16
Fault-Logic Troubleshooting	17 - 19

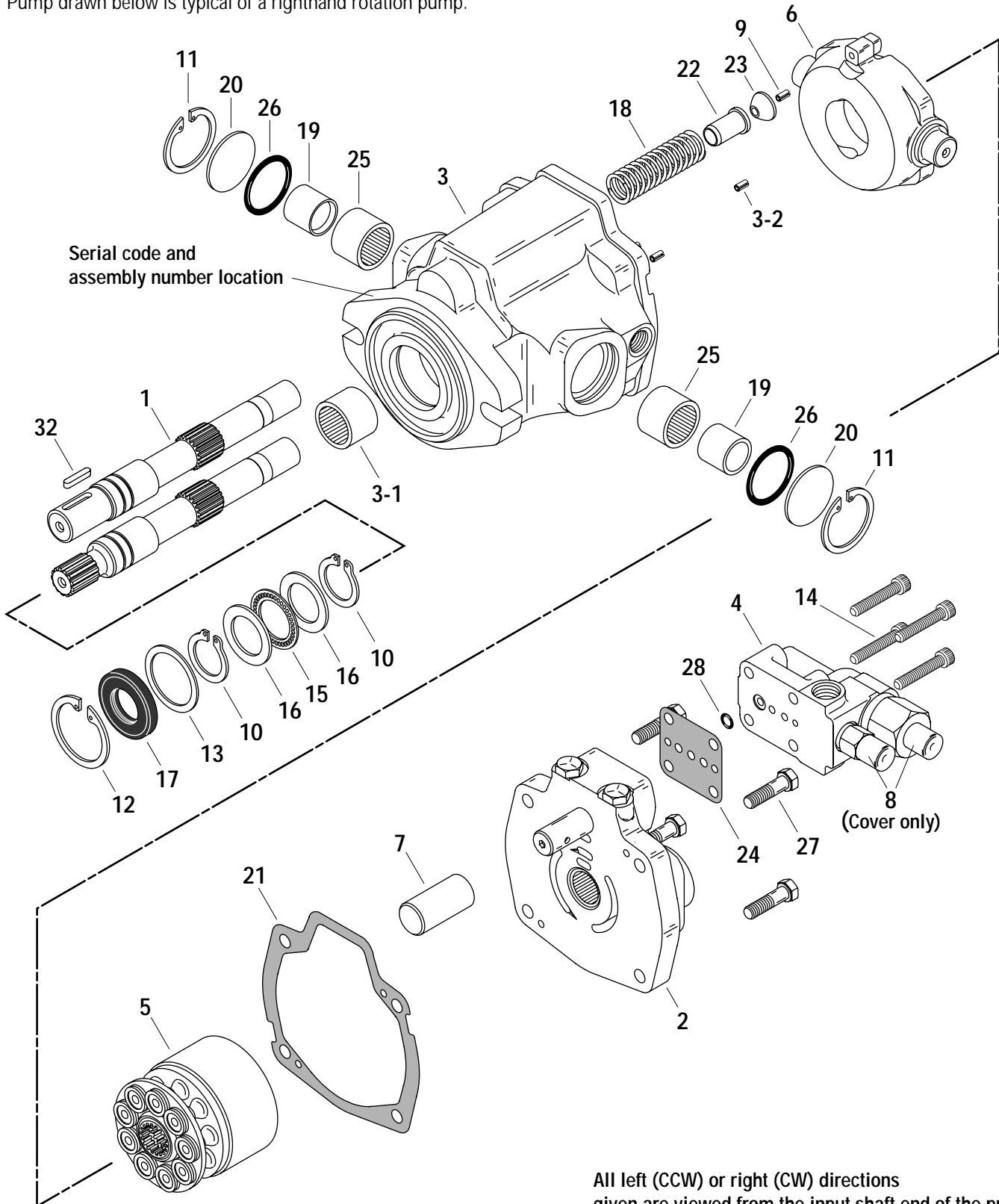
Introduction

This manual provides service information for the Eaton Models 70122 Pressure or Pressure - Flow Compensated Piston Pumps. Step by step instructions for the complete disassembly, inspection, and reassembly of the pump are given. The following recommendations should be followed to insure successful repairs.

- Remove the pump from the application.
- Cleanliness is extremely important.
- Clean the port areas thoroughly before disconnecting the hydraulic lines.
- Plug the pump ports and cover the open hydraulic lines immediately after they're disconnected.
- Drain the oil and clean the exterior of the pump before making repairs.
- Wash all metal parts in clean solvent.
- Use compressed air to dry the parts. Do not wipe them dry with paper towels or cloth.
- The compressed air should be filtered and moisture free.
- Always use new seals when reassembling hydraulic pumps.
- Lubricate the new rubber seals with a petroleum jelly (Vaseline) before installation.
- Torque all bolts over gasketed joints, then repeat the torquing sequence to make-up for gasket compression.
- Verifying the accuracy of pump repairs on an authorized test stand is essential.

Parts Drawing

Pump drawn below is typical of a righthand rotation pump.



All left (CCW) or right (CW) directions given are viewed from the input shaft end of the pump.

Parts List

Item	Part No.	Qty.	Description
1	◆	1	Drive Shaft (Identification drawing on page #6)
2	◆	1	Backplate Assembly (Identification drawing on page #7)
3	70102-301	1	Housing Assembly, .5625-18 - SAE Straight Thread O-ring Port - Right side of housing
3-1	16238-11616	1	Bearing
3-2	16026-608	2	Roll Pin
4	◆	1	Compensator Assembly (Identification drawing on page #8, 9 & 10)
5	◆	1	Rotating Kit Assembly (parts list on page #11)
6	70120-602	1	Camplate
7	70120-401	1	Control Piston
8	70422-618	2	Cover
9	16026-507	1	Roll Pin
+ 10	16078-16	2	Retaining Ring
+ 11	16077-24	2	Retaining Ring
+ 12	16077-26	1	Retaining Ring
13	16048-312	1	Washer
14	16148-412	4	Cap Screws
15	16241-1625	1	Thrust Bearing
16	16241-C1625	2	Bearing Race
+ 17	16253-16	1	Shaft Seal
17	16253-216	1	Shaft Seal, Drive (fluorocarbon rubber)
18	17073-6	1	Spring
19	70101-150	2	Inner Race
20	70111-622	2	Trunnion Cover
+ 21	70111-701	1	Gasket
22	70120-600	1	Spring Collar
23	70120-601	1	Button
+ 24	70422-600	1	Gasket
25	76100-191	2	Thrust Bearing
+ 26	16015-25	2	O-ring, 3/32 x 1-5/16 ID
27	16032-512	4	Cap Screw
+ 28	16003-5-90	1	O-ring, 1/16 x 1/4 ID 90 DUR
32	16246-427	1	Key, Used on 19.05 [.75] diameter shaft
32	24500-619	1	Key, Used on 22.2 [.875] diameter shaft

Seal Repair Kit

•	70122-902	1	Seal Repair Kit
---	-----------	---	-----------------

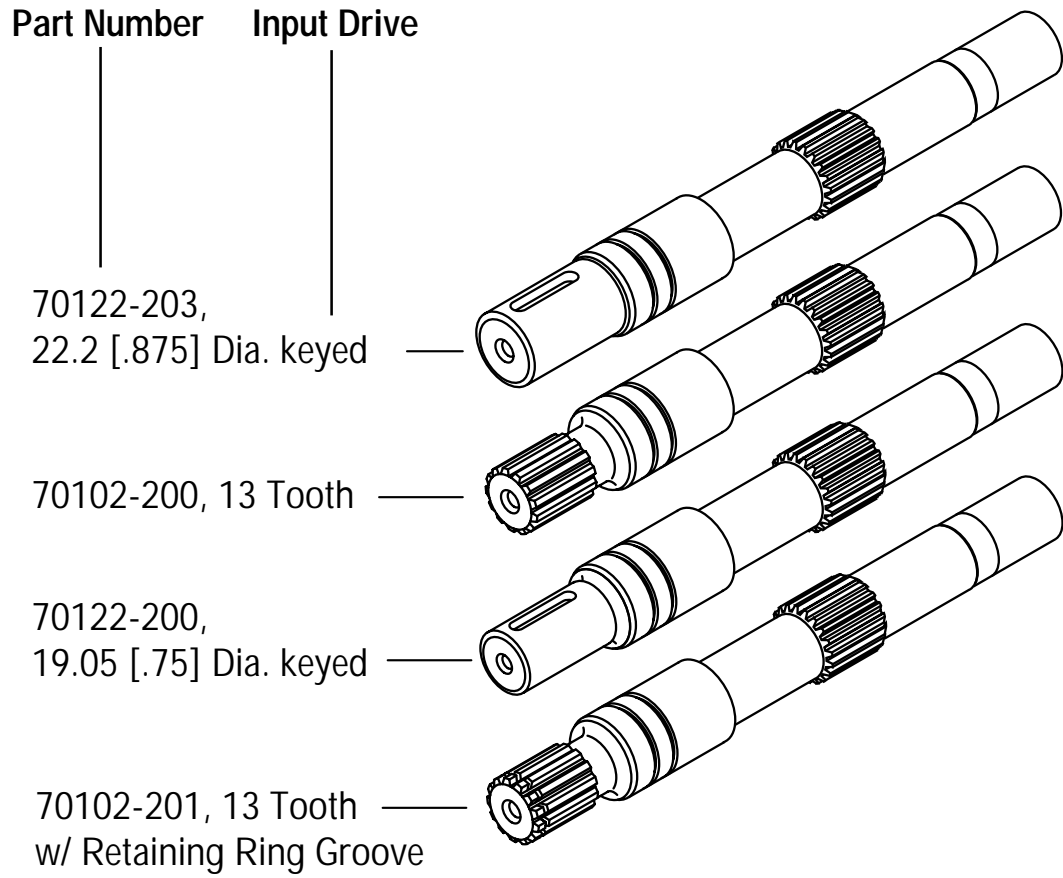
Legend

- ◆ Refer to specific item parts list.
- + Included in seal repair kits listed.

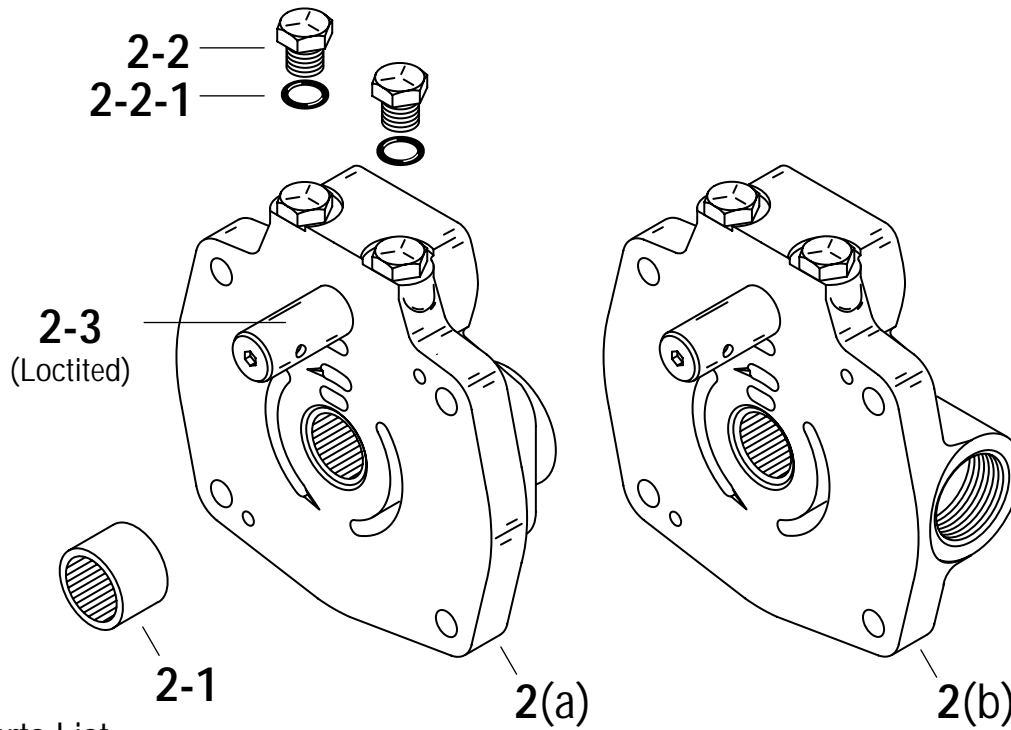
Item 1 - Drive Shaft Identification

Item 1

Drive Shaft Identification



Item 2 - Backplate Assembly

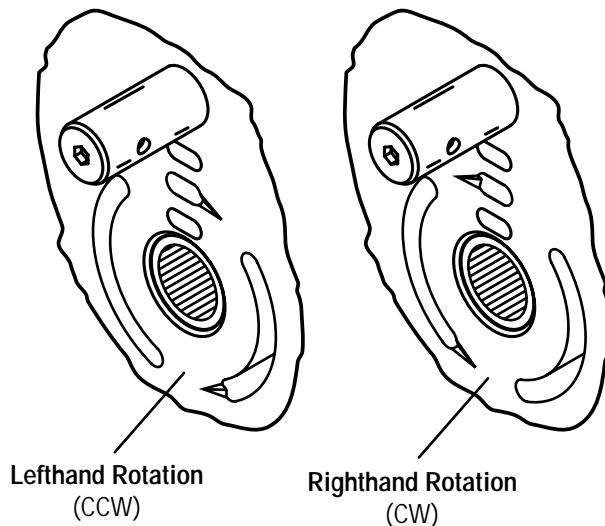


Item 2 - Parts List

Item	Lefthand Rotation Part No.	Righthand Rotation Part No.	Qty.	Description
2(a)	70120-311	70120-309	1	Rear Porting Backplate Assembly
2(b)	70120-314	70120-318	1	Opposite Side Porting Backplate Assembly
2-1	70420-43		1	Bearing
2-2	16103-103		2	Plug Assembly
+ 2-2-1	16133-3		2	O-ring, 1.59 mm Dia. x 7.54 mm I.D. [.0625 in. Dia. x .2969 in. I.D.]
2-3	70120-400		1	Guide Pin

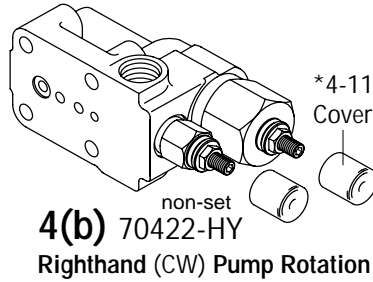
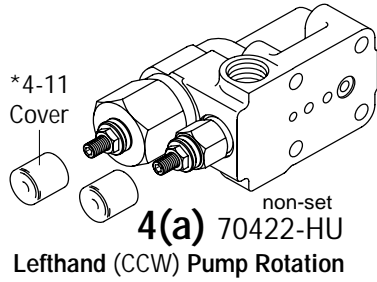
Legend + Included in seal repair kit listed on page 5.

All left (CCW) or right (CW) directions given are viewed from the input shaft end of the pump.

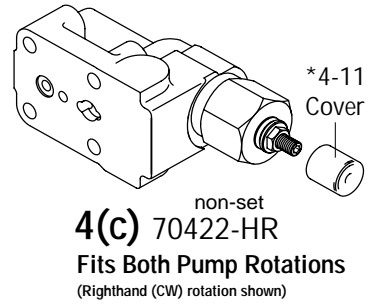


Item 4 - Compensator Assembly

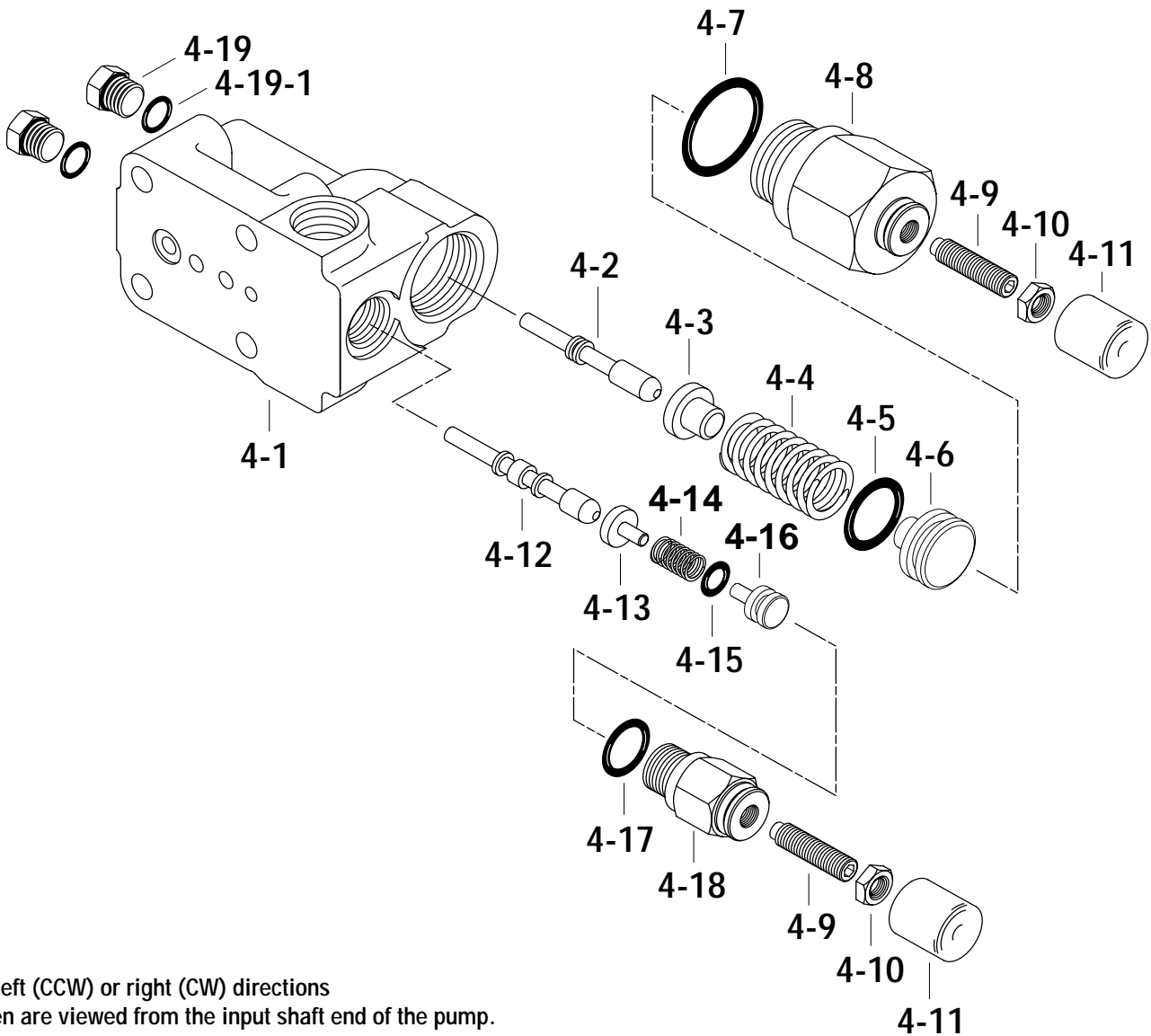
Pressure-Flow Compensator



Pressure Compensator



*4-11, Cover not included with non-set compensator assy.



All left (CCW) or right (CW) directions given are viewed from the input shaft end of the pump.

Item 4 - Compensator Parts List

Item 4 - Parts List (Refer to drawings)

Item	Part No.	Qty.	Description
4(a)	70422-HU	1	Non-Set Pressure-Flow Compensator Assembly, Lefthand Rotation
4(b)	70422-HY	1	Non-Set Pressure-Flow Compensator Assembly, Righthand Rotation
4(c)	70422-HR	1	Non-Set Pressure Compensator Assembly
4-1	N/S	1	Compensator Body
4-2	N/S	1	Pressure Spool
4-3	70422-405	1	Spring Pivot Cap
4-4	17063-11	1	Spring
+ 4-5	16003-11	1	O-ring, 2.38 mm Dia. x 14.29 mm I.D. [.0937 in. Dia. x .5625 in. I.D.]
4-6	70421-453	1	Pressure Spring Follower
+ 4-7	16015-18	1	O-ring, 2.38 mm Dia. x 22.23 mm I.D. [.0937 in. Dia. x .875 in. I.D.]
4-8	70422-606	1	Adjustment Cap, Pressure
4-9	70422-620	1or2	Set Screw
4-10	16024-4	1or2	Nut
4-11*	70422-618*	1or2	Cover*
4-12	N/S	1	Flow Spool
4-13	70411-411	1	Spring Pivot Cap
4-14	17029-5	1	Spring
+ 4-15	16003-4-90	1	O-ring, 1.59 mm Dia. x 5.55 mm I.D. [.0625 in. Dia. x .2187 in. I.D.]
4-16	70421-477	1	Flow Spring Follower
+ 4-17	16133-6	1	O-ring, 1.98 mm Dia. x 11.89 mm I.D. [.078 in. Dia. x .468 in. I.D.]
4-18	70422-602	1	Adjustment Cap Flow
4-19	16103-103	2	Plug Assembly
+ 4-19-1	16133-3	2	O-ring, 1.59 mm Dia. x 7.54 mm I.D. [.0625 in. Dia. x .2969 in. I.D.]

Legend + Included in seal repair kit listed on page 5.
 NSS Not Sold Separately

* Covers are not included with Non-Set Compensator

Factory Pre-set Compensator Assemblies listed on page #10.

Factory Pre-set Compensator Assemblies

Pre-set Pressure-Flow Compensator Assemblies

Non-Set Assembly	Pre-set Assembly	Pump Rotation	Pressure Setting	Flow Setting
70422-HU	70422-AY-03	Lefthand (CCW)	210±3.5 bar [3050±50 lbf/in ²]	13.8±0.7 bar [200±10 lbf/in ²]
70422-HU	70422-BH-03	Lefthand (CCW)	191±2.1 bar [2770±30 lbf/in ²]	15.2±0.7 bar [220±10 lbf/in ²]
70422-HU	70422-BL-03	Lefthand (CCW)	183±3.5 bar [2650±50 lbf/in ²]	25.2±1.8 bar [365±25 lbf/in ²]
70422-HU	70422-DE-03	Lefthand (CCW)	193±3.5 bar [2800±50 lbf/in ²]	13.8±0.7 bar [200±10 lbf/in ²]
70422-HU	70422-DU-03	Lefthand (CCW)	176±3.5 bar [2550±50 lbf/in ²]	19.0±1.8 bar [275±25 lbf/in ²]
70422-HU	70422-EQ-03	Lefthand (CCW)	210±3.5 bar [3050±50 lbf/in ²]	25.9±1.8 bar [375±25 lbf/in ²]
70422-HU	70422-GD-03	Lefthand (CCW)	176±3.5 bar [2550±50 lbf/in ²]	17.2±1.8 bar [250±25 lbf/in ²]
70422-HU	70422-GN-03	Lefthand (CCW)	155±3.5 bar [2250±50 lbf/in ²]	19.0±1.8 bar [275±25 lbf/in ²]
70422-HU	70422-GP-03	Lefthand (CCW)	169±3.5 bar [2450±50 lbf/in ²]	19.0±1.8 bar [275±25 lbf/in ²]
70422-HU	70422-HL-03	Lefthand (CCW)	210±3.5 bar [3050±50 lbf/in ²]	24.5±1.0 bar [355±15 lbf/in ²]
70422-HY	70422-BM-01	Righthand (CW)	210±3.5 bar [3050±50 lbf/in ²]	13.8±0.7 bar [200±10 lbf/in ²]
70422-HY	70422-BU-01	Righthand (CW)	131±3.5 bar [1900±50 lbf/in ²]	13.8±0.7 bar [200±10 lbf/in ²]
70422-HY	70422-DB-01	Righthand (CW)	238±3.5 bar [3450±50 lbf/in ²]	13.8±0.7 bar [200±10 lbf/in ²]
70422-HY	70422-DJ-01	Righthand (CW)	210±3.5 bar [3050±50 lbf/in ²]	25.9±1.8 bar [375±25 lbf/in ²]
70422-HY	70422-DW-01	Righthand (CW)	155±3.5 bar [2250±50 lbf/in ²]	13.8±0.7 bar [200±10 lbf/in ²]
70422-HY	70422-ED-01	Righthand (CW)	169±3.5 bar [2450±50 lbf/in ²]	19.0±1.8 bar [275±25 lbf/in ²]
70422-HY	70422-ET-01	Righthand (CW)	176±3.5 bar [2550±50 lbf/in ²]	13.8±0.7 bar [200±10 lbf/in ²]
70422-HY	70422-EZ-01	Righthand (CW)	176±3.5 bar [2550±50 lbf/in ²]	17.2±0.7 bar [250±10 lbf/in ²]
70422-HY	70422-FB-01	Righthand (CW)	191±2.1 bar [2770±30 lbf/in ²]	15.2±0.7 bar [220±10 lbf/in ²]
70422-HY	70422-FL-01	Righthand (CW)	193±3.5 bar [2800±50 lbf/in ²]	20.7±1.0 bar [300±15 lbf/in ²]
70422-HY	70422-FR-01	Righthand (CW)	210±3.5 bar [3050±50 lbf/in ²]	19.0±1.8 bar [275±25 lbf/in ²]
70422-HY	70422-GA-01	Righthand (CW)	172±3.5 bar [2500±50 lbf/in ²]	20.7±0.7 bar [300±10 lbf/in ²]
70422-HY	70422-GR-01	Righthand (CW)	193±3.5 bar [2800±50 lbf/in ²]	17.2±1.8 bar [250±25 lbf/in ²]
70422-HY	70422-GU-01	Righthand (CW)	210±3.5 bar [3050±50 lbf/in ²]	17.2±1.8 bar [250±25 lbf/in ²]
70422-HY	70422-HK-01	Righthand (CW)	210±3.5 bar [3050±50 lbf/in ²]	24.5±1.0 bar [355±15 lbf/in ²]
70422-HY	70422-HM-01	Righthand (CW)	176±3.5 bar [2550±50 lbf/in ²]	24.5±1.0 bar [355±15 lbf/in ²]

Pre-set Pressure Compensator Assembly

Non-Set Assembly	Pre-set Assembly	Pump Rotation	Pressure Setting
70422-HR	70422-CA-04	Both	210±3.5 bar [3050±50 lbf/in ²]
70422-HR	70422-CH-04	Both	162±3.5 bar [2350±50 lbf/in ²]
70422-HR	70422-CK-04	Both	148±3.5 bar [2150±50 lbf/in ²]
70422-HR	70422-CL-04	Both	141±3.5 bar [2050±50 lbf/in ²]
70422-HR	70422-CR-04	Both	107±3.5 bar [1550±50 lbf/in ²]
70422-HR	70422-DH-04	Both	176±1.8 bar [2550±25 lbf/in ²]
70422-HR	70422-FG-04	Both	159±3.5 bar [2300±50 lbf/in ²]
70422-HR	70422-GE-04	Both	169±1.8 bar [2450±25 lbf/in ²]
70422-HR	70422-HB-04	Both	190±3.5 bar [2750±50 lbf/in ²]
70422-HR	70422-HE-04	Both	110±3.5 bar [1600±50 lbf/in ²]
70422-HR	70422-HN-04	Both	114±1.8 bar [1650±25 lbf/in ²]

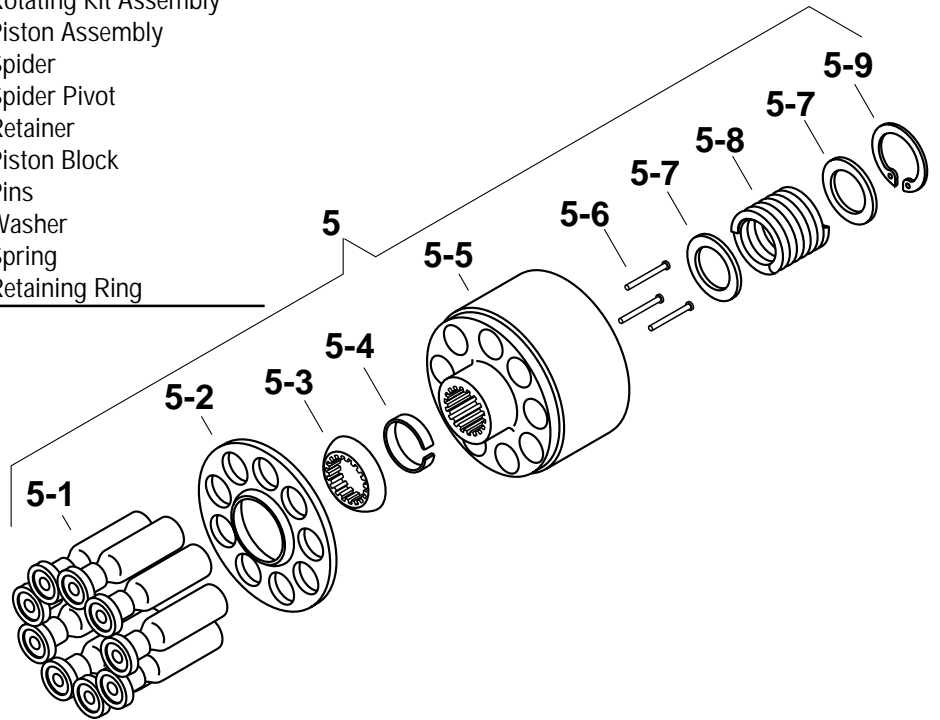
All left (CCW) or right (CW) directions given are viewed from the input shaft end of the pump.

Item 5 - Rotating Kit Assembly

Item 5 Rotating Kit Assembly

Item	Part No.	Qty.	Description
5	70111-695	1	Rotating Kit Assembly
5-1	NSS	9	Piston Assembly
5-2	NSS	1	Spider
5-3	NSS	1	Spider Pivot
5-4	NSS	1	Retainer
5-5	NSS	1	Piston Block
5-6	NSS	3	Pins
5-7	NSS	2	Washer
5-8	NSS	1	Spring
5-9	NSS	1	Retaining Ring

NSS - Not Sold Separately



Product Number

This list of product numbers is to aid in Item identification.
If your product number is not listed contact your Eaton representative.

Model 70122, Lefthand Rotation (CCW)

Product Number	Description of Part Number			
	Drive Shaft Item #1	Backplate Assy. Item #2	Housing Assy. Item #3	Compensator Assy. Item #4
70122-LAE	70102-201	70120-311	70102-301	70422-CA-04
70122-LAF	70102-201	70120-311	70102-301	70422-AY-03
70122-LAN	70122-203	70120-311	70102-301	70422-CA-04
70122-LAP	70122-203	70120-311	70102-301	70422-AY-03
70122-LAW	70102-200	70120-314	70102-301	70422-AY-03
70122-LAY	70102-200	70120-314	70102-301	70422-CA-04
70122-LAZ	70122-203	70120-314	70102-301	70422-AY-03
70122-LBA	70122-203	70120-314	70120-314	70422-CA-04

Model 70122, Righthand Rotation (CW)

Product Number	Description of Part Number			
	Drive Shaft Item #1	Backplate Assy. Item #2	Housing Assy. Item #3	Compensator Assy. Item #4
70122-RAG	70102-201	70120-311	70120-314	70422-BM-01
70122-RAH	70102-201	70120-311	70120-314	70422-CA-04
70122-RAL	70122-203	70120-311	70120-314	70422-BM-01
70122-RAM	70122-203	70120-311	70120-314	70422-CA-04
70122-RAV	70102-200	70120-314	70120-314	70422-BM-01
70122-RAW	70102-200	70120-314	70120-314	70422-CA-04
70122-RAY	70122-203	70120-314	70120-314	70422-BM-01
70122-RAZ	70122-203	70120-314	70120-314	70422-CA-04

Repair Information

Cleanliness is extremely important when repairing these pumps. Work in a clean area. Before disconnecting the lines clean port area of pump. Disconnect hydraulic lines and remove pump assembly from vehicle and plug ports. Thoroughly clean the outside of pump. After cleaning, remove port plugs and drain oil.

Disassembly

ATTENTION: Removal of the adjusting screw covers from cap may void the warranty on this assembly.

- 1 Clamp the end of the drive shaft in a protected jaw vise with the body of the pump up and remove the four allen head screws (14) holding compensator (4).
- 2 Remove the compensator assembly (4), O-ring (28), and gasket (24).
- 3 Remove the four cap screws (27) from the backplate of the pump.
- 4 Place a screw driver in slots provided between housing and loosen backplate. Remove backplate (2) and gasket (21) from housing.
- 5 Remove the control piston (7) remaining on the backplate or in housing. Also remove plug (2-2) from backplate (2).
- 6 To remove rotating assembly (5) from housing, remove pump from vise and slide rotating assembly off shaft. Caution: pistons may not come out with piston block.
- 7 Remove pistons (5-1), spider (5-2), and spider pivot (5-3) from piston block (5-5).
- 8 The piston block assembly (5-5) need not be disassembled unless the internal pins (5-6) or spring (5-8) are damaged.

CAUTION: Use the following procedure if the spring is to be removed from the piston block. The spring (5-8) is highly compressed and the snap ring (5-9)

should not be removed without compressing the spring.

The following parts will be needed to disassemble the piston block:

- 2 ea. 5/16 I.D. x 15/16 O.D. flat washer,
- 1 ea. 5/16 x 2-7/8 N.C. cap screw, and
- 1 ea. 5/16 N.C. nut.

Place one of the flat washers over the 5/16 x 2-7/8 cap screw and place this through the center of the piston block. Place the other washer over the cap screw and let it rest on the three pins. Screw the nut on and compress the spring inside the piston block. Use a pair of snap ring pliers and remove the internal snap ring (5-9). Remove the nut and bolt along with the two washers (5-7), three pins (5-6), and the internal pin keeper (5-4).

- 9 To free shaft seal and shaft, remove retaining ring (12).
- 10 Remove shaft (1) from housing (3) by tapping backplate end of shaft with a wooden or plastic mallet.
- 11 Remove shaft seal (17), washer (13), the two retaining rings (10), the two thrust washers (16), and bearing (15) from shaft.
- 12 To remove the camplate (6) from the housing, remove the two internal retaining rings (11) from the sides of the housing. Remove the two covers (20), the two o-rings (26), the two inner races (19), and the bearings (25). The camplate can now be moved over to one side and removed. The two camplate pivot bearings are a loose slip fit into the housing. Do not be concerned if they are not tight.
- 13 Remove the spring collar (22) and spring (18). Do not remove the button (23) and roll pin (9) unless they are worn or loose.
- 14 The pressure-flow compensator assembly (4)

Repair Information

may be disassembled for cleaning and inspection.

ATTENTION: Removal of the adjusting screw covers from cap may void the warranty on this assembly.

15 Remove pressure adjustment cap (4-8) from compensator housing (4-1). Pressure spring follower (4-6) will remain in cap (4-8), pull follower from cap.

16 Remove flow adjustment cap (4-18) from compensator housing (4-1). Flow spring follower (4-16) will remain in cap (4-18). Pull follower from cap.

17 Remove springs (4-4 and 4-14) and spring pivots (4-3 and 4-13) from compensator housing.

18 Remove plugs (4-19), pressure compensator spool (4-2), and flow compensator spool (4-12) from compensator housing (4-1).

19 The shaft seal, all O-rings, and all gaskets should be removed and replaced with new items upon reassembly.

Inspect Parts For Wear

1 Inspect the flat surface of the backplate (2), the finish on the piston block side should be smooth and free of grooves. The piston guide should be tight in the backplate. The needle bearing in the backplate should be free of excessive play and remain in the bearing cage. If the backplate has any of the wear characteristics outlined above, replace complete backplate assembly.

2 Inspect the piston block (5). The surface that contacts the backplate should be smooth and free of grooves.

3 The pistons (5-1) should move freely in the piston block bore. If they stick in the bore, examine the bore for scoring or contamination.

4 Examine the O.D. of the piston (5-1) for finish condition. They should not show wear or deep scratches. The shoes should be a snug fit on the ball

end of the piston. The flat surface of the shoes should be flat, and smooth. Do not lap piston shoes.

5 Examine the spider (5-2). It should be flat, no cracks, and no signs of wear in the pivot area.

6 Examine the pivot (5-3). It should be smooth and show no signs of wear.

7 Inspect the camplate (6) for the condition of finish of the polished shoe surface. It should show no signs of scoring.

8 Inspect shaft (1) for wear in bearing and spline areas.

9 Inspect thrust bearing (15) and thrust washers (16) for wear.

10 Inspect the needle bearing in the housing assembly (3). If the needles are free of excessive play and remain in the bearing cage, there is no need to replace the housing.

11 Inspect the compensator springs (4-4 and 4-14) for breakage or weakness.

12 Inspect the spools (4-2 and 4-12) for scoring.

13 It is not necessary to inspect the o-rings, retaining rings, gaskets, or shaft seal as they should be replaced as new items and are included in the seal repair kit available for this assembly.

Reassembly

1 Clean all parts in suitable solvent; lubricate all critical moving parts before reassembly.

2 Install camplate control spring (18) and spring collar (22) in housing (3).

3 Insert camplate (6) into housing (3). Insert needle bearings (25) and bearing inner race (19) over the camplate arms and slide into housing (3). The numbered end of the bearing should face outward

Repair Information

and the chamfered I.D. of the race should face inward.

4 Install new O-ring (26) around O.D. of camplate pivot bearing (25). Install trunnion covers (20) and secure with retaining rings (11).

5 Install retaining ring (10) on shaft (1). Install thrust washer (16), thrust bearing (15), and second thrust washer (16). Secure with second retaining ring (10).

6 Install shaft (1) in housing (3) and install washer (13), shaft seal (17), and retain with retaining ring (12). Make sure retaining ring is seated in the groove.

7 If piston block assembly was disassembled, compress the pin keeper (5-4), and install in the spline area of piston block. Install the three pins (5-6) with the head end to the inside of the block and install in the special grooves of the piston block spline.

8 Install the washer (5-7), spring (5-8), and second washer (5-7) in the piston block. Use the two 5/16 I.D. washers and the 5/16 x 2-7/8 cap screw to compress the spring and retain with retaining ring (5-9). Remove the 5/16 x 2-7/8 cap screw and the two washer.

9 Install the pivot (5-3), spider (5-2), and piston assemblies (5-1) in the piston block. Install this assembly in the housing assembly, the piston shoes must be in contact with the camplate. Be sure all the parts are in their proper position.

10 Clamp this assembly in a protected jaw vise with the open end of the housing (3) up.

11 Install new gasket (21).

12 Install control piston (7), and plug (2-2) with new o-ring onto backplate. Note roll pin (3-2) locations.

13 Install backplate (2) and retain with cap screws (27). Torque to 23 to 27 N-m [17 to 20 lb-ft].

14 Place new o-ring (4-19-1) on plug (4-19). Install plug assembly, flow compensator spool (4-12), spring pivot (4-13), spring (4-14), flow spring follower (4-16) with new o-ring (4-15), and flow adjustment cap (4-18) with new o-ring (4-17) into compensator housing (4-1). Torque plug (4-19) 8 to 11 N-m [6 to 8 lb-ft] and torque flow adjustment cap (4-18) 14 to 16 N-m [10 to 12 lb-ft].

15 Place new O-ring (4-19-1) on plug (4-19). Install plug assembly, pressure compensator spool (4-2), spring pivot (4-3), spring (4-4), pressure spring follower (4-6) with new o-ring (4-5), and pressure adjustment cap (4-8) with new o-ring (4-7) into compensator housing (4-1). Torque plug (4-19) 8 to 10 N-m [6 to 8 lb-ft] and torque pressure adjustment cap (4-18) 47 to 54 N-m [35 to 40 lb-ft].

16 Install new gasket (24) and new o-ring (28), then install compensator assembly (4), and retain with four allen head cap screws (14) and torque to 14 to 16 N-m [10 to 12 lb-ft].

17 Plug ports to preserve cleanliness until installation on vehicle. (Refer to start up procedures.)

Start-up Procedure

When initially starting a rebuilt load sensing system, it is extremely important that the start-up procedure be followed. It prevents the chance of damaging the pump which might occur if the system was not properly purged with oil before start-up.

- 1 After the pump has been properly installed onto the machine and all hydraulic connections have been made, check all fittings to make sure that they are tight.
- 2 Fill the pump housing at least 1/2 full with system oil that has been filtered through a 10 micron filter.
- 3 Fill the reservoir with an approved oil that has been filtered through a 10 micron filter. Leave the filler cap loose as a means of air that is trapped in the system.
- 4 Note on gasoline or L.P. engines: remove the coil wire and turn the engine over for 15 seconds. Diesel engines: shut off the fuel flow to the injectors and turn the engine over for 15 seconds. This procedure enables the pump to pick-up the oil before start-up. At this time disconnect the sensor line from the pump compensator and pull one of the valve spools while the engine is being turned over. This allows oil to flow through the sensor line, thus, removing any air in the sensor line. Reconnect the sensor line after a steady flow of oil is coming from the line.
- 5 Replace the coil wire or return the fuel flow to the injectors and start the engine. Run at low idle speed for one minute. The pump should immediately pick up oil and go into low pressure standby. If there is no indication of fill in 30 seconds, stop engine and determine the cause.
- 6 After the pump has stabilized in low pressure standby, operate the control valve and steering, if the system is equipped with one, to purge the system of air and to fill the cylinders with oil. Continue operating the system slowly with no load until it responds fully.
- 7 Check fluid level at the reservoir and refill if necessary to the proper level at the reservoir and refill if necessary to the proper level with an approved filtered oil.
- 8 Check all line connections for leaks tighten if necessary.
- 9 The machine is now ready to be put into operation.
- 10 Short hour filter changes are recommended for the first two changes after placing the machine back into operation. The first filter would be changed in 3-5 hours and the second at approximately 50 hours. Routine scheduled filter changes are recommended for maximum life of hydraulic system.

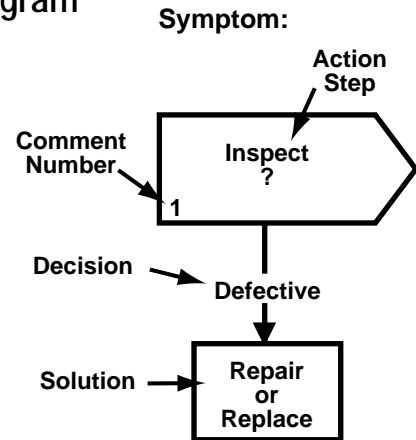
Fault - Logic Troubleshooting

This fault - logic troubleshooting guide is a diagnostic aid in locating pump problems.

Match the pump systems with the problem statements and follow the action steps shown in the box diagrams. This will give expedient aid in correcting minor problems eliminating unnecessary machine down time.

Following the fault - logic diagrams are diagram action comments of the action steps shown in the diagrams. Where applicable, the comment number of the statement appears in the action block of the diagrams.

Explanatory Diagram

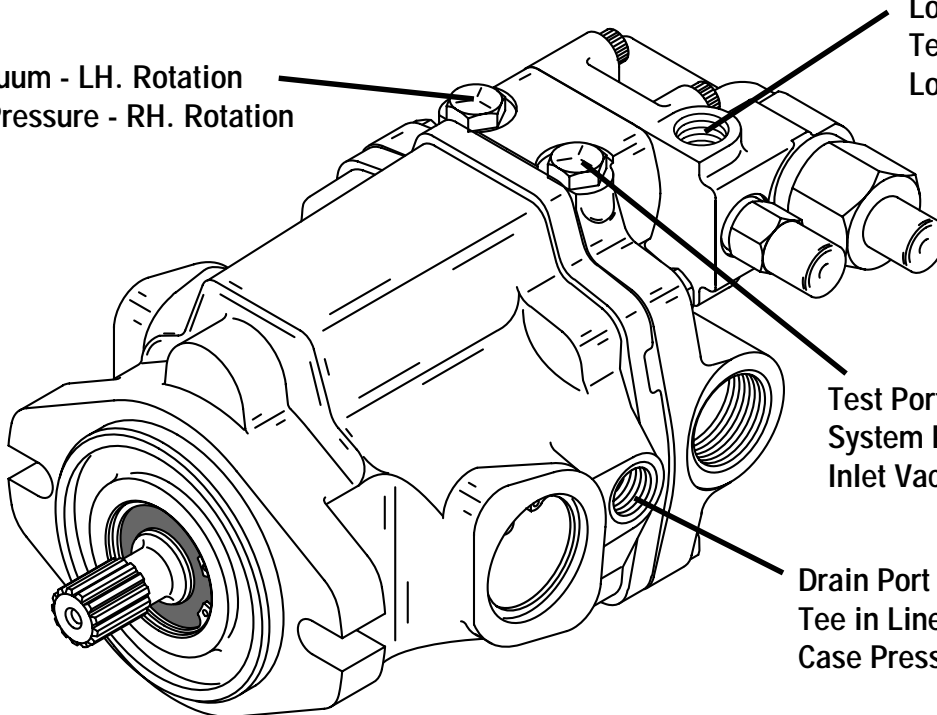


Recommended Gauge Locations

Test Port

Inlet Vacuum - LH. Rotation
System Pressure - RH. Rotation

Load Sensing Port
Tee in Line to Check
Load Sensing Pressure



Test Port
System Pressure - LH. Rotation
Inlet Vacuum - RH. Rotation

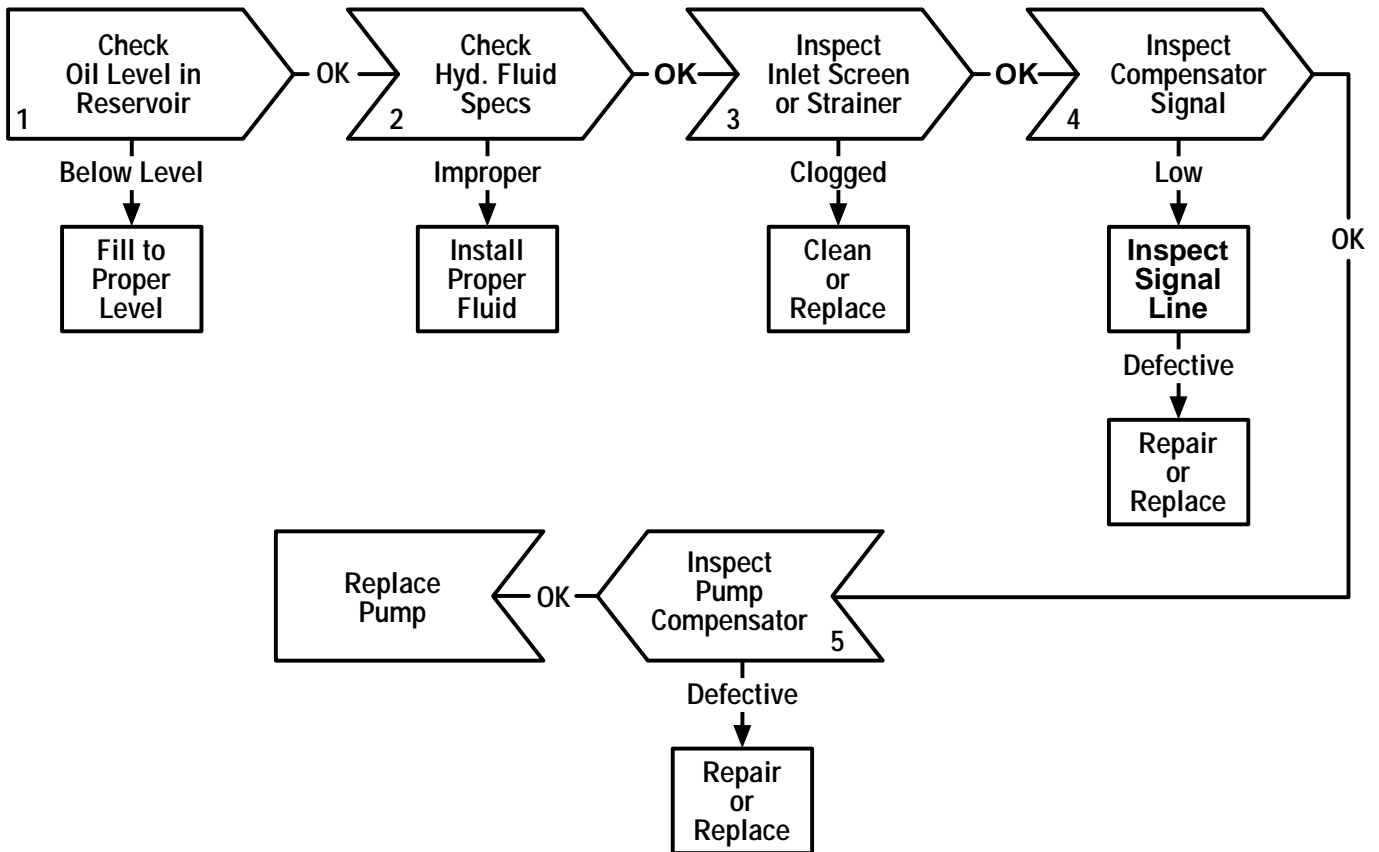
Drain Port
Tee in Line to Check
Case Pressure

Gauges Recommended

- Inlet vacuum gauge: 2 bar to 1 bar [30 PSI to 30 inHg]
- System pressure gauge: 700 bar [10,000 PSI]
- Case pressure gauge: 0 to 25 bar [0 to 300 PSI]

Fault - Logic Troubleshooting

Symptom:
System will not Develop Proper Pressure or Flow



Fault - Logic Troubleshooting

Symptom: Pump Noisy or Overheating

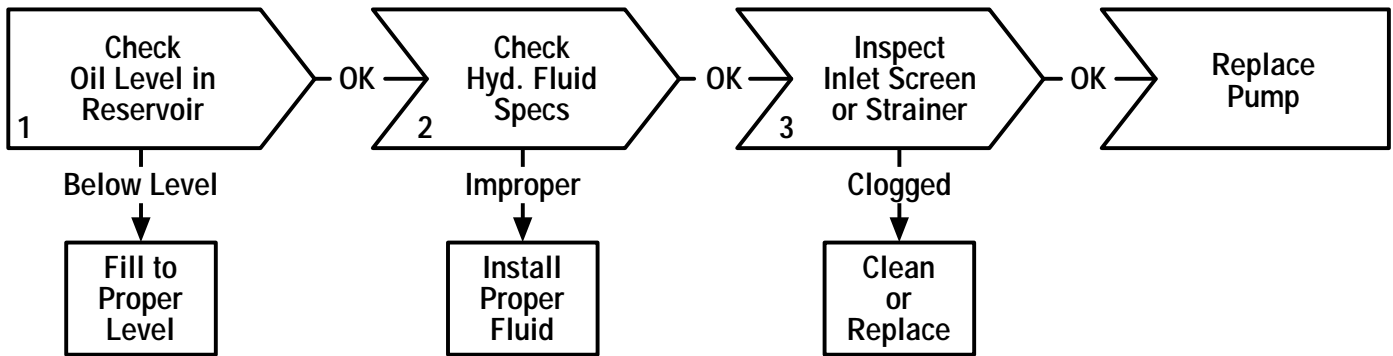


Diagram Action Step Comments

1. **Check Oil Level in Reservoir:**
 - A. Fill to proper level.
2. **Check Hydraulic Fluid Specifications:**
 - A. Consult owner/operators manual for the proper type fluid.
3. **Inspect Inlet Screen or Strainer for:**
 - A. Suction screen or strainer plugged.
 - B. Suction line too small or too long
 - C. Suction line collapsed or plugged.
4. **Inspect Compensator Signal for:**
 - A. Improper size or length of signal line.
 - B. Damaged or obstructed signal line
5. ***Inspect Pump Compensator for:**
 - A. Misadjusted pressure or flow setting.
 - B. Pressure or flow spool stuck open.
 - C. Pressure or flow spring weak or broken.

- *Standard factory compensator pressure settings**
- A. Pressure compensator set at 3000 to 3100 PSI (Optional settings of 1500 min. to 3100 max. PSI)
 - B. Flow compensator set at 190 to 210 PSI (Optional settings of 190 min. to 450 max. PSI)

Each order must include the following information.

1. Product and/or Part Number
 2. Serial Number Code
 3. Part Name
 4. Quantity
-

Eaton
Fluid Power Group
Hydraulics Business USA
14615 Lone Oak Road
Eden Prairie, MN 55344
USA
Tel: 952-937-9800
Fax: 952-294-7722
www.eaton.com/hydraulics

Eaton
Fluid Power Group
Hydraulics Business Europe
Route de la Longeraie 7
1110 Morges
Switzerland
Tel: +41 (0) 21 811 4600
Fax: +41 (0) 21 811 4601

Eaton
Fluid Power Group
Hydraulics Business Asia Pacific
11th Floor Hong Kong New World Tower
300 Huaihai Zhong Road
Shanghai 200021
China
Tel: 86-21-6387-9988
Fax: 86-21-6335-3912