

# Power Steering

## Torque Generator

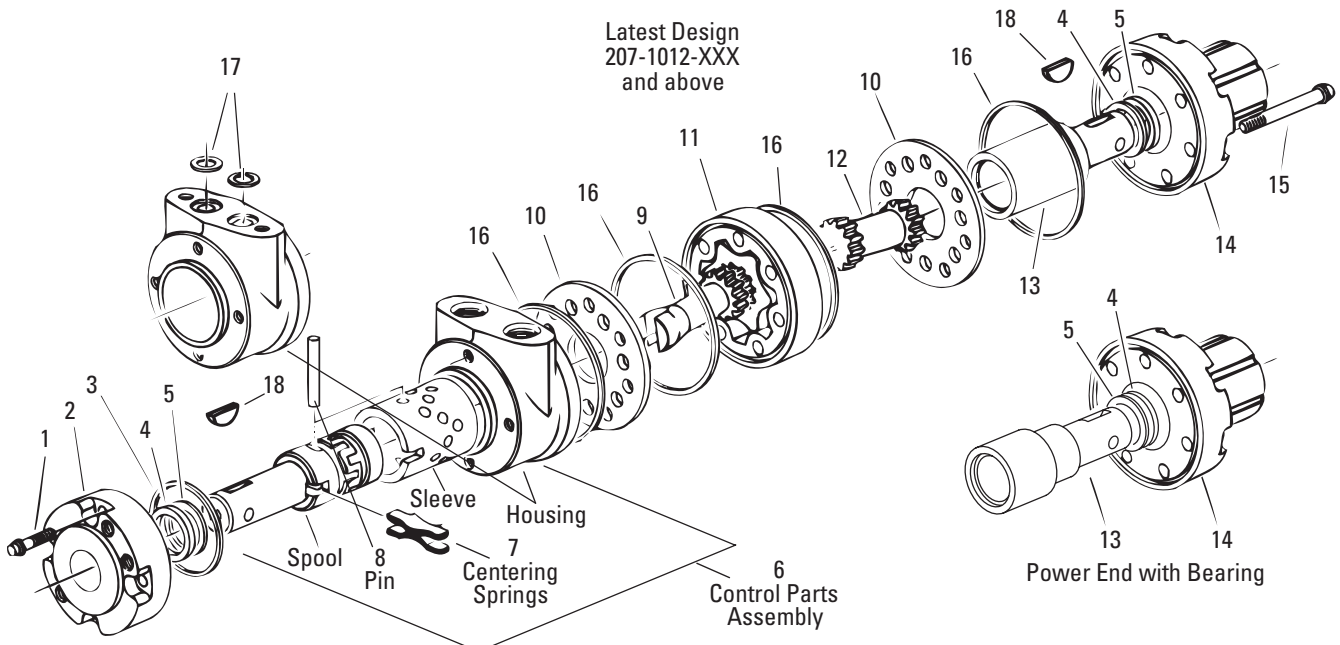
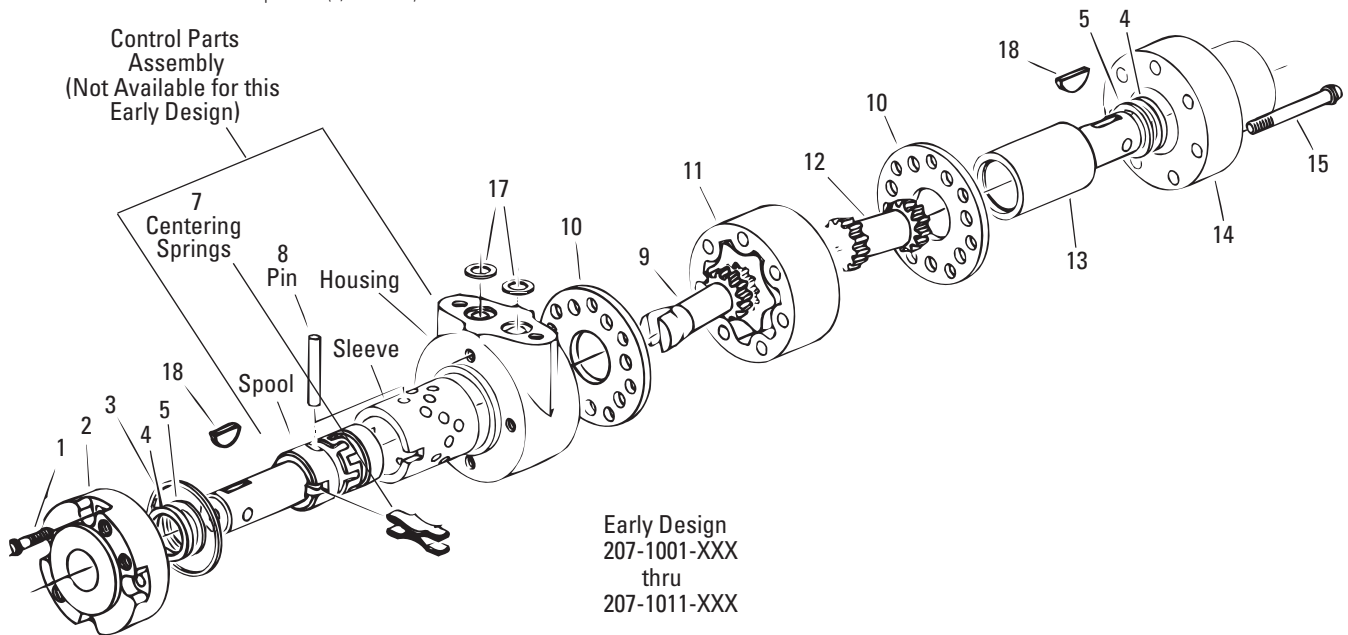
Displacement  
cu. cm./rev.  
[cu. in./rev.]

	Item No. 9	Item No. 11	Item No. 12	Item No. 15
	<b>Control End Drive (1)</b>	<b>Gerotor Assembly (1)</b>	<b>Power End Drive (1)</b>	<b>Power End Cap Screws (7)</b>
101 [ 6.2 ]	147	N/A	148	21045-5 †
167 [ 10.2 ]	44	N/A	45	21045-6 †
59 [ 3.6 ]	147	8980-023	22948	5389-010 ††
76 [ 4.7 ]	147	8980-031	148	5389-015 ††
96 [ 5.9 ]	147	8980-003	148	5389-015 ††
126 [ 7.7 ]	44	8980-032	45	5389-018 ††
160 [ 9.7 ]	44	8980-004	45	5389-018 ††

N/A Not Available (These Items No Longer Available from Eaton)

† Cap Screw (1/4-20 NC)

†† Cap Screw (5/16-24 NF)



# Power Steering

## Torque Generator

Item No.	Part Number	Early Design Part Status	Description	Quantity		
				Early Design	Latest Design	
				Manifold Ports	Manifold Ports	9/16-18 O-ring Ports
1	20145-7		Cap Screw	4	4	4
2	21108		End Cap	1	—	—
	6279		End Cap	—	1	1
3	15049		Seal, O-ring	1	1	1
4	9004-5		Seal, Quad	2	2	2
5	13		Washer, Backup	2	2	2
6	—	N/A	Control Parts Assembly†	1	—	—
	22923		Control Parts Assembly†	—	1	—
	22925		Control Parts Assembly†	—	—	1
	22924		Control Parts Assembly††	—	1	—
	22810		Control Parts Assembly†††	—	1	—
7	64431		Spring Kit, Centering **	1	1	1
8	15		Pin	1	1	1
9	*		Drive, Control End	1	1	1
10	594	N/A	Plate, Spacer	2	—	—
	22368		Plate, Spacer	—	2	2
11	*	N/A	Gerotor	1	—	—
	*		Gerotor	—	1	1
12	*		Drive, Power End	1	1	1
13	142		Shaft, Power End	1	1	1
	22481		Shaft, Power End w/Bearing	—	1	1
14	141	N/A	Housing, Power End	1	—	—
	21312-2		Housing, Power End	—	1	1
	22491		Housing, Power End w/Bearing	—	1	1
15	*		Capscrew, Power End	7	7	7
16	9086-2		Seal	—	4	4
17	15009		Seal, O-ring	2	2	—
18	18033		Key, Woodruff ***	2	2	2
	21122		Seal Kit (Buna N)			
	64427		Seal Kit (Viton)			
	N/A		Not Available (These Items No Longer Available form Eaton)			
	*		See Displacement Chart — Page 2 (Displacement and Product Numbers on Page 4)			
	**		Includes Spacers (2) for Low Input Torque Spring Package or (6) Springs for the Standard Spring Package			
	***		Included Only with Special Models			
	†		Standard Shaft w/Crosshole and Key Slot			
	††		Standard Shaft w/Crosshole and Key Slot and Low Torque Spring Package			
	†††		Tang Drive Shaft End (Special)			

# Power Steering

## Torque Generator

### How to Order Replacement Parts

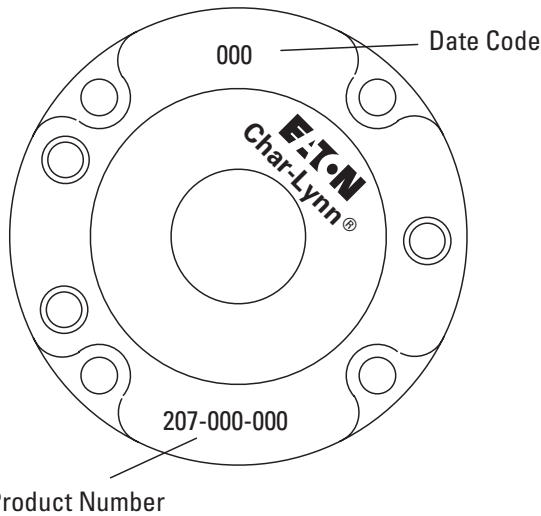
#### Each Order Must Include the Following:

1. Product Number
2. Date Code
3. Part Name
4. Part Number
5. Quantity of Parts

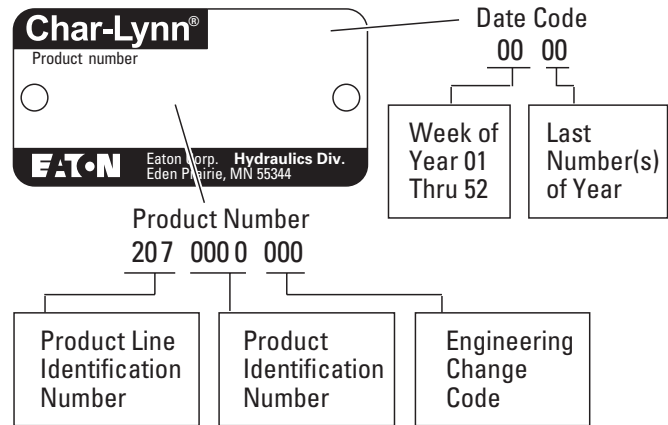
Ports	Displacement cu. cm./rev. [cu. in./rev.]	Product Number	Feature or Status
Manifold	101 [ 6.2]	207-1001-00645	Mounting Face as Cast—N/A
Manifold	167 [10.2]	207-1002-006	Mounting Face as Cast—N/A
Manifold	96 [ 5.9]	207-1012-001	Mounting Face as Cast—N/A
Manifold	160 [ 9.7]	207-1013-001	Mounting Face as Cast—N/A
9/16-18 UNF	96 [ 5.9]	207-1016-001	Mounting Face as Cast—N/A
9/16-18 UNF	160 [ 9.7]	207-1017-001	Mounting Face as Cast—N/A
9/16-18 UNF	76 [ 4.7]	207-1049-001	Machined Mounting Face Each End
9/16-18 UNF	96 [ 5.9]	207-1050-001	Machined Mounting Face Each End
9/16-18 UNF	160 [ 9.7]	207-1048-001	Machined Mounting Face Each End
Manifold	76 [ 4.7]	207-1030-001	Machined Mounting Face Each End
Manifold	96 [ 5.9]	207-1015-001	Machined Mounting Face Each End
Manifold	160 [ 9.7]	207-1020-001	Machined Mounting Face Each End
Manifold	76 [ 4.7]	207-1051-001	Power End w/Bearing and Machined Faces
Manifold	96 [ 5.9]	207-1028-001	Power End w/Bearing and Machined Faces
Manifold	160 [ 9.7]	207-1052-001	Power End w/Bearing and Machined Faces

N/A — Not Available (Choose Replacement Unit from Current Models on this List)

### Early Design



### Latest Design



Eaton  
Hydraulics Group USA  
14615 Lone Oak Road  
Eden Prairie, MN 55344  
USA  
Tel: 952-937-9800  
Fax: 952-294-7722  
[www.eaton.com/hydraulics](http://www.eaton.com/hydraulics)

Eaton  
Hydraulics Group Europe  
Route de la Longeraie 7  
1110 Morges  
Switzerland  
Tel: +41 (0) 21 811 4600  
Fax: +41 (0) 21 811 4601

Eaton  
Hydraulics Group Asia Pacific  
Eaton Building  
4th Floor, No. 3 Lane  
280 Linhong Rd. Changning District  
Shanghai 200335  
China  
Tel: (+86 21) 5200 0099  
Fax: (+86 21) 5200 0400